

Clamp levers with protective cap

with external thread, steel parts in stainless steel



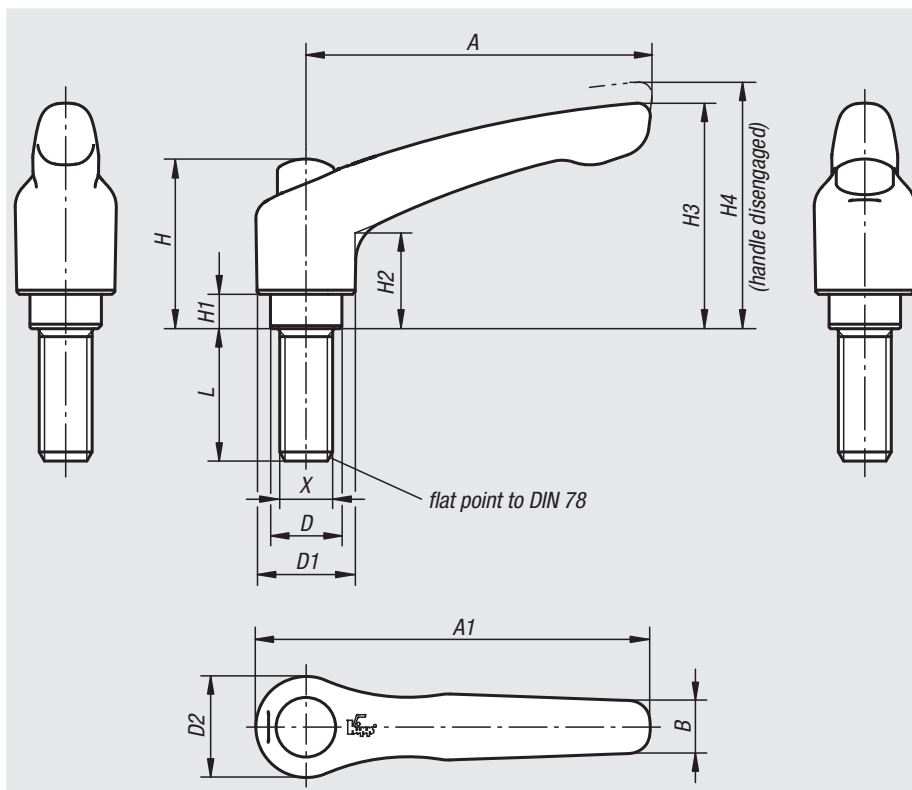
Material:
 Handle in die cast zinc to DIN 1743;
 steel parts in stainless steel, 1.4305;
 protective cap in stainless steel, 1.4305

Surface finish:
 Handle plastic-coated
 Steel parts natural finish

Sample order:
 nlm 06461-92081X30 (please also indicate dimension L)

Note:
 Standard colours are:
 black satin finish, orange RAL 2004.

On request:
 Other external threads, screw lengths, colours and special versions.
 Dimension „H1“ available in other lengths at extra charge.



Technical data

Size	External thread X	D	D1	D2	H	H1	H2	H3	H4	A	A1	B	No. of teeth
2	M6/M8/M10	13,5	18,5	19	32	6,5	17,5	42,5	45,5	65	74,5	9,5	20
3	M8/M10	16	21	22	41,5	10	24	54,5	58,5	80	91	11	22

Order No. black satin finish	Order No. orange	Size	External thread X	L = screw length
06461-92061X	06461-92062X	2	M6	15/20/25/30/40/50/60
06461-92081X	06461-92082X	2	M8	15/20/25/30/40/50/60
06461-92101X	06461-92102X	2	M10	20/25/30/40/50/60
06461-93081X	06461-93082X	3	M8	20/25/30/40/50/60
06461-93101X	06461-93102X	3	M10	20/25/30/40/50/60



01000
02000
03000
04000
05000
06000
07000
08000
09000
20000
21000
22000
23000