

# Aluminium crank handles


**Material:**

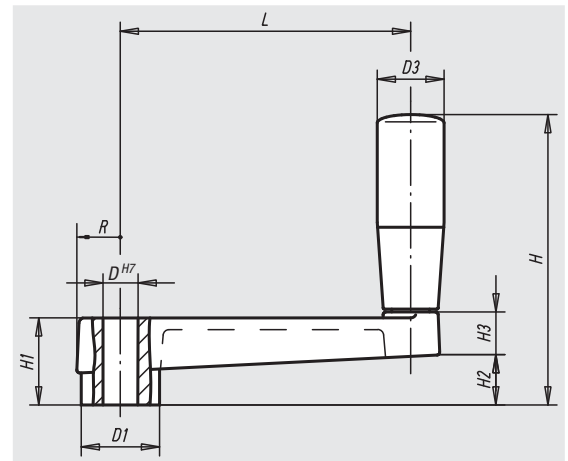
Aluminium.  
Duroplastic cylindrical revolving handle.

**Surface finish:**

Black plastic-coated.  
Black revolving handle.

**Sample order:**

nIm 06492-100



Order No.	D	D1	D3	H	H1	~H2	H3	L	R	Approx. weight kg
06492-100	10	23	21	81	24	14	14	80	13	0,101
06492-120	12	27	23	100	28	17	15	100	15	0,170
06492-140	14	32	26	123	34	22	18	125	17,5	0,262