

Crank handles

with cylindrical safety grip



Material, surface finish:

Body and grip in anthracite grey thermoplastic.
Steel parts black oxide finish.

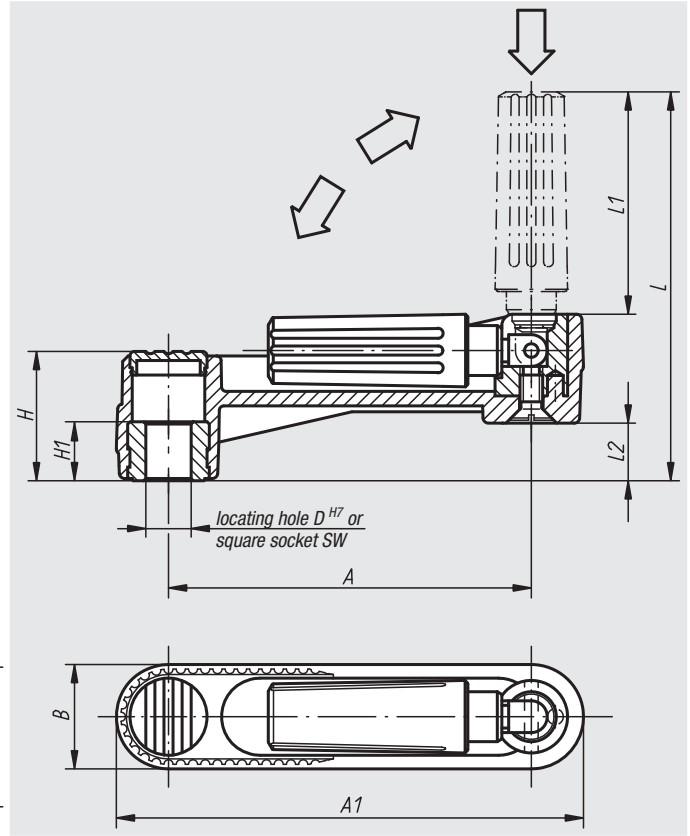
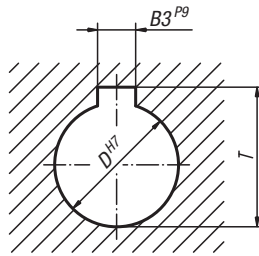
Sample order:

nIm 06502-1108

Note:

The hub cover is supplied unassembled.
The crank handles can be secured axially to the shaft via feather connection by cross-pinning or with a socket head screw to DIN 6912 and a washer to DIN 7349.
Two steps have to be executed to bring the cylindrical safety grip into operating position:
- Swivel the grip around the axis of rotation until it stops (90°).
- Press the grip in axial direction into locking position.
The pressed-in position is the most comfortable position to crank. The grip returns automatically after letting go.

hub slot according to DIN 6885-1



Order No.	Surface finish	Size	A	A1	B	D	H	H1	L	L1	L2	Approx. weight kg
06502-1108	locating hole without slot	1	80	104	24	8	29	13	84	47,5	13	0,100
06502-1110	locating hole without slot	1	80	104	24	10	29	13	84	47,5	13	0,100
06502-1210	locating hole without slot	2	100	129	29	10	36	13	104	58,5	16	0,190
06502-1212	locating hole without slot	2	100	129	29	12	36	13	104	58,5	16	0,190
06502-1312	locating hole without slot	3	125	161	36	12	44	18,5	138,5	82	19,5	0,370
06502-1314	locating hole without slot	3	125	161	36	14	44	18,5	138,5	82	19,5	0,370

Order No.	Surface finish	Size	A	A1	B	D	H	H1	L	L1	L2	B3	T	Approx. weight kg
06502-110802	locating hole with slot	1	80	104	24	8	29	13	84	47,5	13	2	9	0,100
06502-111003	locating hole with slot	1	80	104	24	10	29	13	84	47,5	13	3	11,4	0,100
06502-121003	locating hole with slot	2	100	129	29	10	36	13	104	58,5	16	3	11,4	0,190
06502-121204	locating hole with slot	2	100	129	29	12	36	13	104	58,5	16	4	13,8	0,190
06502-131204	locating hole with slot	3	125	161	36	12	44	18,5	138,5	82	19,5	4	13,8	0,370
06502-131405	locating hole with slot	3	125	161	36	14	44	18,5	138,5	82	19,5	5	16,3	0,370

Order No.	Surface finish	Size	A	A1	B	SW	H	H1	L	L1	L2	Approx. weight kg
06502-2108	square socket	1	80	104	24	8	29	13	84	47,5	13	0,100
06502-2110	square socket	1	80	104	24	10	29	13	84	47,5	13	0,100
06502-2210	square socket	2	100	129	29	10	36	13	104	58,5	16	0,190
06502-2212	square socket	2	100	129	29	12	36	13	104	58,5	16	0,190
06502-2312	square socket	3	125	161	36	12	44	18,5	138,5	82	19,5	0,370
06502-2314	square socket	3	125	161	36	14	44	18,5	138,5	82	19,5	0,370

01000
02000
03000
04000
05000
06000
07000
08000
09000
20000
21000
22000
23000