

Clamp levers

with external thread and plastic handle, steel parts in stainless steel



Material, surface finish:

Handle in glass-fibre reinforced plastic with toothed wheel in die cast zinc;
steel parts in stainless steel 1.4305, natural finish

Sample order:

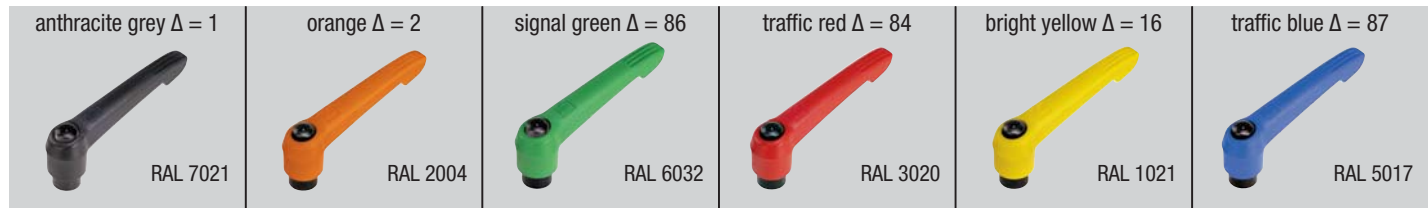
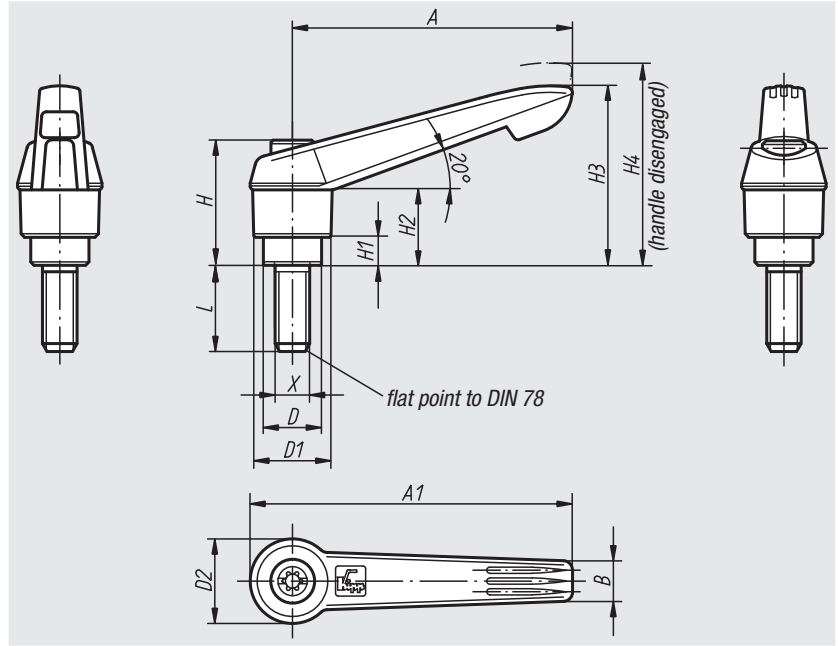
nIm 06611-1051X20 (clamp lever anthracite grey; please also indicate dimension L)

Note:

Δ Add the desired clamp lever colour here

On request:

Other external threads, screw lengths and special versions.
Dimension „H1“ available in other lengths at extra charge.



Order No.	Size	External thread X	D	D1	D2	H	H1	H2	H3	H4	A	A1	B	No. of teeth	L = screw length
06611-105ΔX	1	M5	10	13	14,5	24,5	4	15	30	33,5	40	47	7,5	16	10/15/20/25
06611-106ΔX	1	M6	10	13	14,5	24,5	4	15	30	33,5	40	47	7,5	16	10/15/20/25/30/40/50
06611-206ΔX	2	M6	13,5	18	19,5	28,5	6,5	17,5	41,5	45,5	65	75	9,5	20	15/20/25/30/40/50/60
06611-208ΔX	2	M8	13,5	18	19,5	28,5	6,5	17,5	41,5	45,5	65	75	9,5	20	15/20/25/30/40/50/60
06611-210ΔX	2	M10	13,5	18	19,5	28,5	6,5	17,5	41,5	45,5	65	75	9,5	20	20/25/30/40/50/60
06611-308ΔX	3	M8	16	21,5	23	37	10	24	53,5	58	80	91,5	11	22	20/25/30/40/50/60
06611-310ΔX	3	M10	16	21,5	23	37	10	24	53,5	58	80	91,5	11	22	20/25/30/40/50/60
06611-412ΔX	4	M12	19	25,5	27,5	43	10	26	61	66	95	109	13	24	25/30/40/50/60
06611-516ΔX	5	M16	23	30	32,5	49	12	33	72	77	110	126	15,5	26	30/40/50/60

01000
02000
03000
04000
05000
06000
07000
08000
09000
20000
21000
22000
23000