

Clamping joints

individually adjustable



Material, surface finish:

Wing grip:

Handle in thermoplastic, anthracite grey.

Threaded bolt in blue chromated steel 5.8.

Other parts in high-strength aluminium nickel silver anodized.

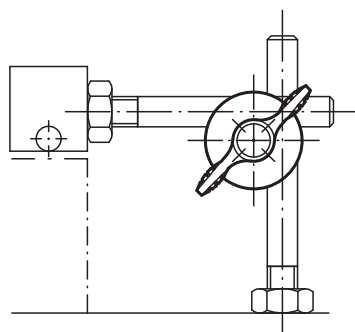
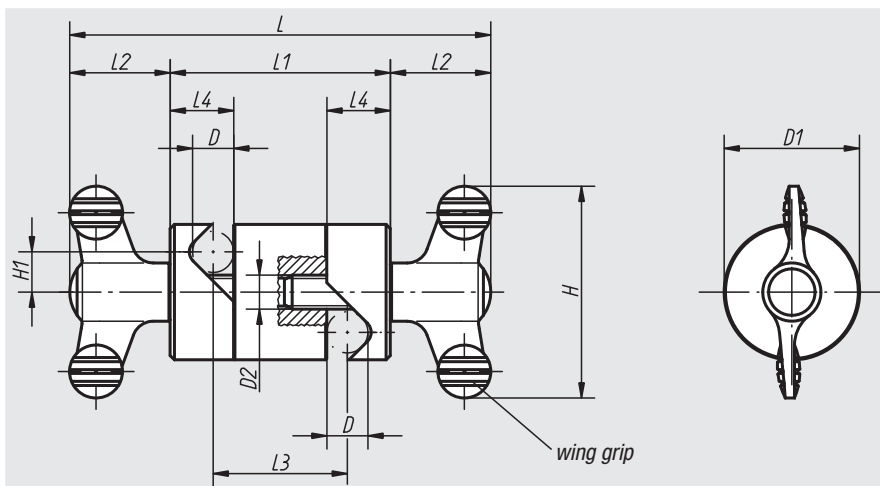
Sample order:

nIm 06621-02

Note:

Clamping joints are used to clamp round cross sections (bars, tubes, etc.) and are continuously adjustable.

The design has been kept as simple as possible and, in conjunction with the wing grips, it permits rapid clamping.



Order No.	Size	D	D1	D2	L	L1	L2	L3	L4	H	H1	Approx. weight kg
06621-01	1	8	28	M8	90	42	24	24	13	50	8,5	0,086
06621-02	2	10	32	M8	100	52	24	32	15	50	9,5	0,124
06621-03	3	12	36	M8	104	56	24	34	17	50	10,5	0,157
06621-04	4	16	45	M10	143,2	72	35,6	44	22	75	13,5	0,345
06621-05	5	20	74	M10	173,2	102	35,6	62	30	75	22	1,110