

T-grips



Material, surface finish:

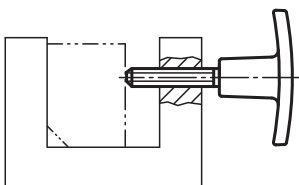
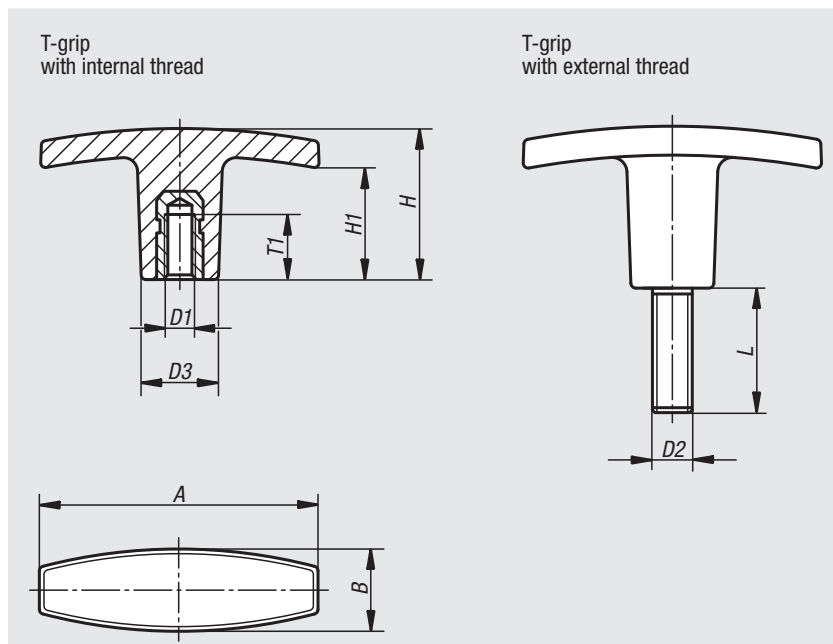
Glass-fibre reinforced thermoplastic, black.
Threaded bush in brass.
Threaded bolt in steel, galvanized

Sample order:

nIm 06649-25005X15 (please also indicate dimension L)

On request:

Grip coloured in red, yellow, green, blue, white or grey (provided that the number of pieces is more than 250).



Order No.	Surface finish	A	B	D1	D3	H	H1	T1	Approx. weight kg
06649-14005	Internal thread	40	13	M5	13	30,5	20	10	0,011
06649-15005	Internal thread	50	15	M5	14	24	16	10	0,013
06649-16006	Internal thread	60	17	M6	16	31,5	23	12	0,017
06649-17108	Internal thread	71	19,5	M8	20	36	19	20	0,028
06649-17110	Internal thread	71	19,5	M10	20	36	19	20	0,030
06649-18010	Internal thread	80	26	M10	26	39,5	26	25	0,048
06649-18012	Internal thread	80	26	M12	26	39,5	26	25	0,056

Order No.	Surface finish	A	B	D2	D3	H	H1	L = screw length
06649-24005X	External thread	40	13	M5	13	30,5	20	15
06649-25005X	External thread	50	15	M5	14	24	16	15/20
06649-26006X	External thread	60	17	M6	16	31,5	23	20/25
06649-27108X	External thread	71	19,5	M8	20	36	19	20/30
06649-27110X	External thread	71	19,5	M10	20	36	19	20/30
06649-28010X	External thread	80	26	M10	26	39,5	26	30
06649-28012X	External thread	80	26	M12	26	39,5	26	40

01000
02000
03000
04000
05000
06000
07000
08000
09000
20000
21000
22000
23000