

# T-grips


**Material:**

Black duroplastic PF 31.  
Bush and threaded bolt in galvanized steel.

**Surface finish:**

Deburred and high-polish finish.

**Sample order:**

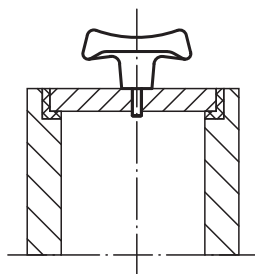
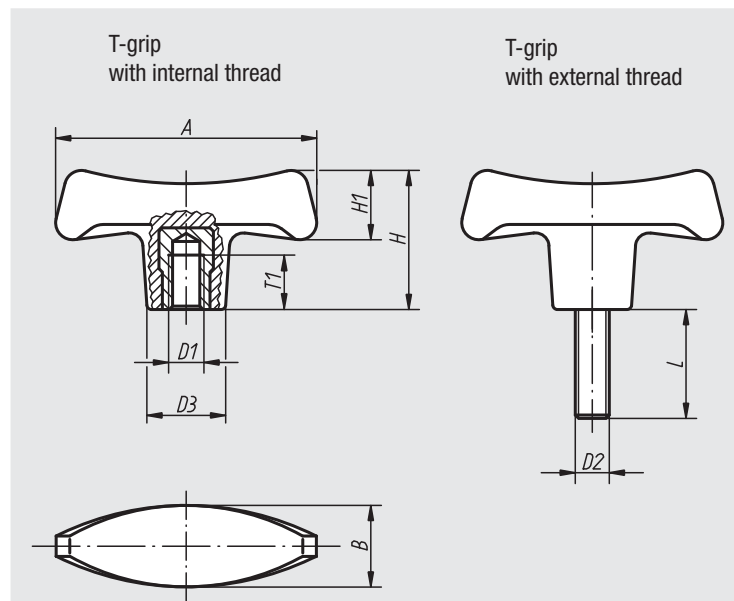
nIm 06650-27006X18 (please also indicate dimension L)

**Note:**

The versions 06650-17008 and 06650-18008 have a bush in copper-plated steel.

**On request:**

Other external threads, screw lengths and colours.



Order No.	Surface finish	A	B	D1	D3	H	H1	T1	Approx. weight kg
06650-17006	Internal thread	70	22	M6	19,6	38,8	20,2	12	0,035
06650-17008	Internal thread	70	22	M8	19,6	38,8	20,2	14	0,041
06650-17010	Internal thread	70	22	M10	19,6	38,8	20,2	14	0,040
06650-18008	Internal thread	80	25	M8	22,3	44	23	14	0,053
06650-18010	Internal thread	80	25	M10	22,3	44	23	22	0,056
06650-19010	Internal thread	90	28	M10	25	49,6	26	22	0,072
06650-19012	Internal thread	90	28	M12	25	49,6	26	21	0,082

Order No.	Surface finish	A	B	D2	D3	H	H1	L = screw length
06650-27006X	External thread	70	22	M6	19,6	38,8	20,2	18
06650-27008X	External thread	70	22	M8	19,6	38,8	20,2	24
06650-28010X	External thread	80	25	M10	22,3	44	23	20/30
06650-29010X	External thread	90	28	M10	25	49,6	26	30
06650-29012X	External thread	90	28	M12	25	49,6	26	24