

Wing screws

with a counter grip



Material, surface finish:

Wing screw: Anthracite grey thermoplastic.

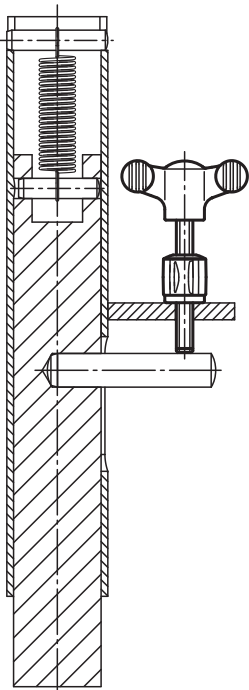
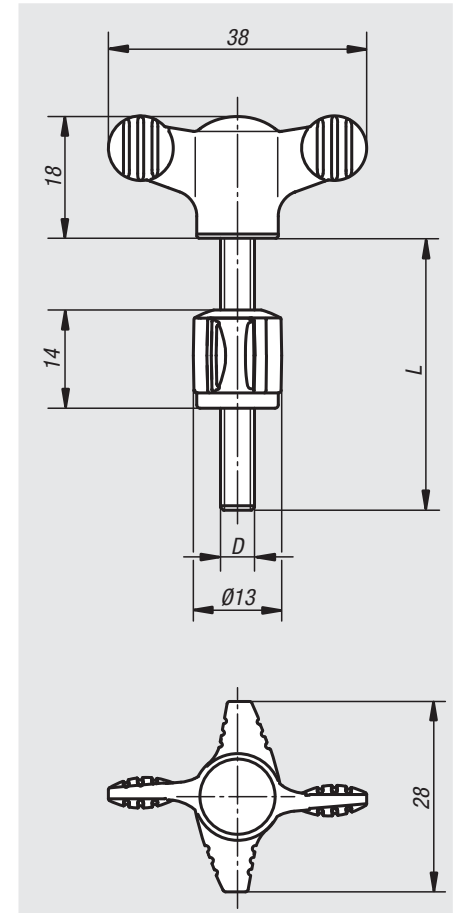
Threaded bolt in steel 5.8, blue chromated.

Counter grip: Anthracite grey thermoplastic.

Bush in steel, blue chromated.

Sample order:

nIm 06655-904X30



Order No.	D	L
06655-904X30	M4	30
06655-904X40	M4	40
06655-905X30	M5	30
06655-905X40	M5	40
06655-906X30	M6	30
06655-906X40	M6	40