

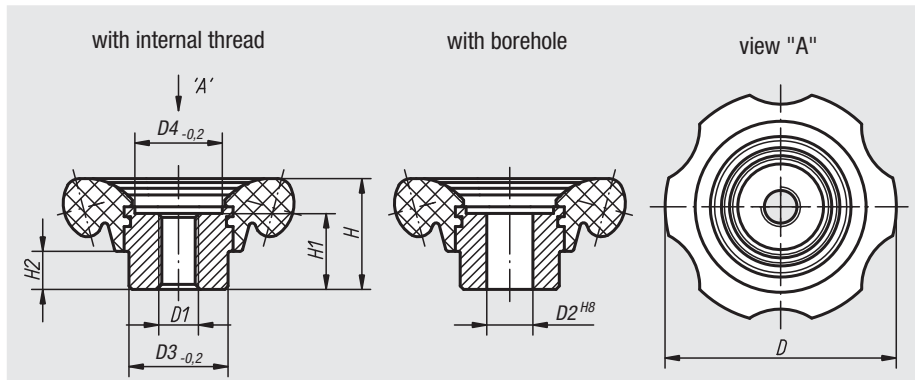
Duroplastic handwheels



Material:
Handwheel in duroplastic PF 31.
Bush in steel, black oxide finish.

Surface finish:
High-polish finish, black.

Sample order:
nlm 06830-70112



| Order No. | Surface finish | D | D1 | D2 | D3 | D4 | H | H1 | H2 |
|-------------|--------------------------------|----|-----|----|----|------|------|----|------|
| 06830-70110 | handwheel with internal thread | 70 | M10 | - | 30 | 26,5 | 33,5 | 23 | 11,5 |
| 06830-70112 | handwheel with internal thread | 70 | M12 | - | 30 | 26,5 | 33,5 | 23 | 11,5 |
| 06830-83112 | handwheel with internal thread | 83 | M12 | - | 35 | 31,5 | 40 | 28 | 14 |
| 06830-83116 | handwheel with internal thread | 83 | M16 | - | 35 | 31,5 | 40 | 28 | 14 |
| 06830-70212 | handwheel with borehole | 70 | - | 12 | 30 | 26,5 | 33,5 | 23 | 11,5 |
| 06830-70214 | handwheel with borehole | 70 | - | 14 | 30 | 26,5 | 33,5 | 23 | 11,5 |
| 06830-83214 | handwheel with borehole | 83 | - | 14 | 35 | 31,5 | 40 | 28 | 14 |
| 06830-83216 | handwheel with borehole | 83 | - | 16 | 35 | 31,5 | 40 | 28 | 14 |



01000
02000
03000
04000
05000
06000
07000
08000
09000
20000
21000
22000
23000