

Five lobe grips


Material:

Black duroplastic PF 31.
Bush and threaded bolt in galvanized steel.

Surface finish:

Deburred and high-polish finish.

Sample order:

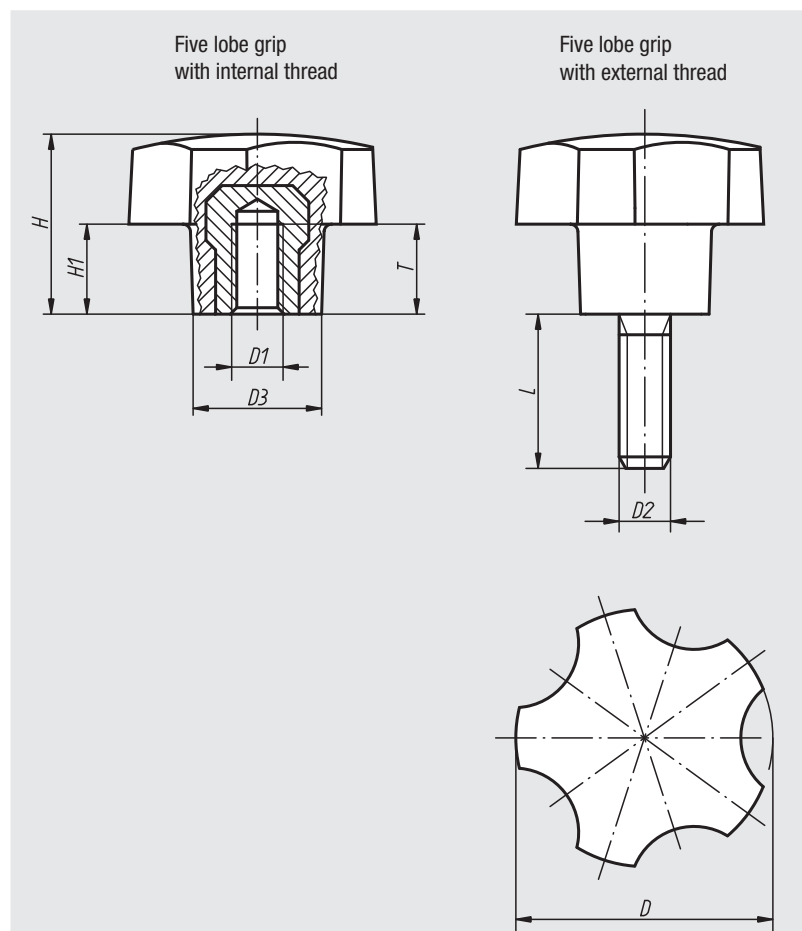
nIm 06850-3206X12 (please also indicate dimension L)

Note:

The versions 06850-3205 and 06850-3206 have a bush in brass.

On request:

Other external threads, screw lengths and colours.



Five lobe grips with internal thread

Order No.	D	D1	D3	H	H1	T
06850-3205	32	M5	16	22,4	11,2	10
06850-3206	32	M6	16	22,4	11,2	9
06850-4006	40	M6	20	28	14	12
06850-4008	40	M8	20	28	14	14
06850-4010	40	M10	20	28	14	14
06850-5008	50	M8	25	35	17,5	14
06850-5010	50	M10	25	35	17,5	14

Five lobe grips with external thread

Order No.	D	D2	D3	H	H1	L = screw length
06850-3206X	32	M6	16	22,4	11,2	12/18
06850-3208X	32	M8	16	22,4	11,2	16/24
06850-4006X	40	M6	20	28	14	18
06850-4008X	40	M8	20	28	14	16/20/24
06850-4010X	40	M10	20	28	14	30
06850-5008X	50	M8	25	35	17,5	16/24
06850-5010X	50	M10	25	35	17,5	20/30