

Stirrup-shaped handles

**Material:**

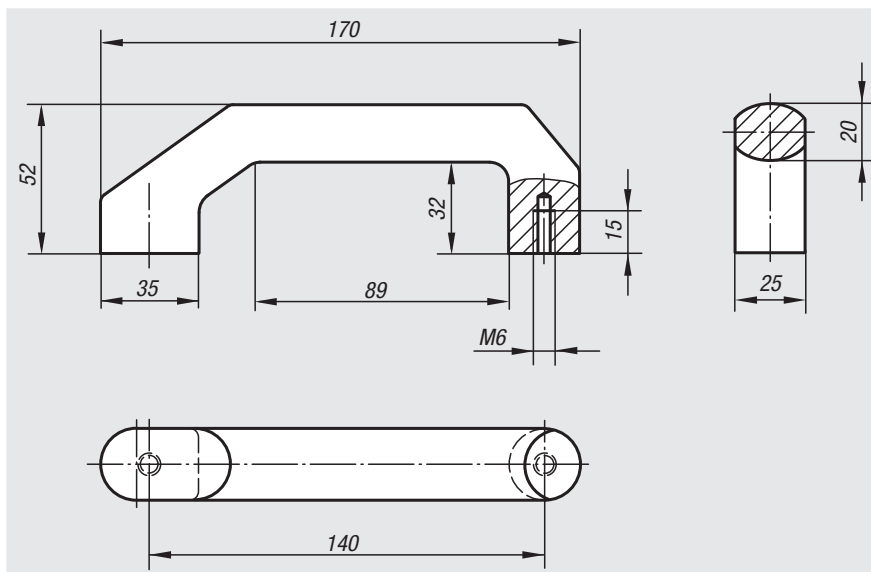
Aluminium chill casting EN AW-5754

Surface finish:

Surface vibration ground, black powder-coated or vibration ground, rough

Sample order:

nlm 06900-140066



Order No.	Surface finish	Load bearing capacity N	Approx. weight kg
06900-140066	black powder-coated	1000	0,260
06900-140067	natural finish	1000	0,260

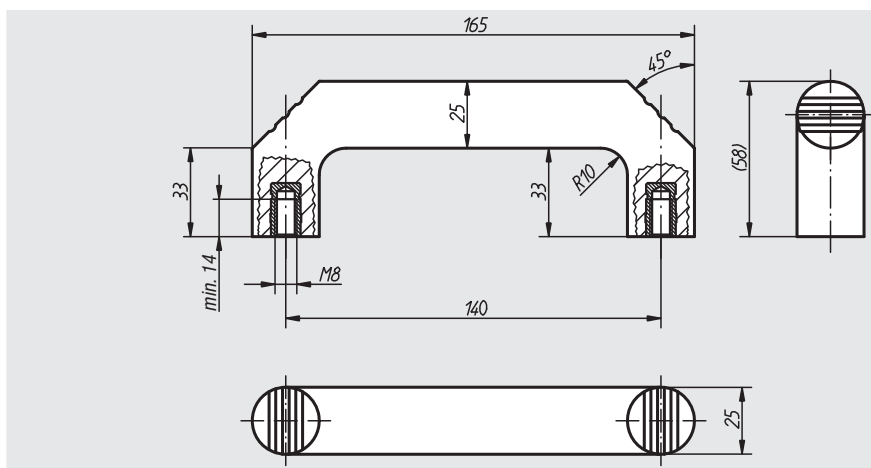
Stirrup-shaped handles

**Material:**Duroplastic PF 31, black.
Bush brass or steel galvanized**Surface finish:**

Deburred and high-polish finish

Sample order:

nlm 06901-114008



Order No.	Bush material	Load bearing capacity N	Approx. weight kg
06901-114008	brass	500	0,180
06901-214008	galvanized steel.	500	0,180