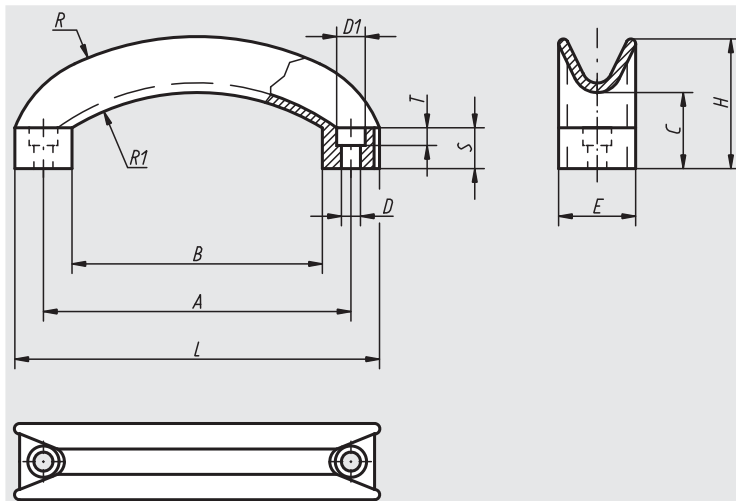


# Bridge handle



**Material, surface finish:**  
Anthracite grey thermoplastic

**Sample order:**  
nlm 06909-11406



Order No.	D	D1	A	B	C	E	H	L	R	R1	S	T	Approx. weight kg
06909-11406	6,5	10,5	114	92	29	28	48	134	117	79	15	6,5	0,037

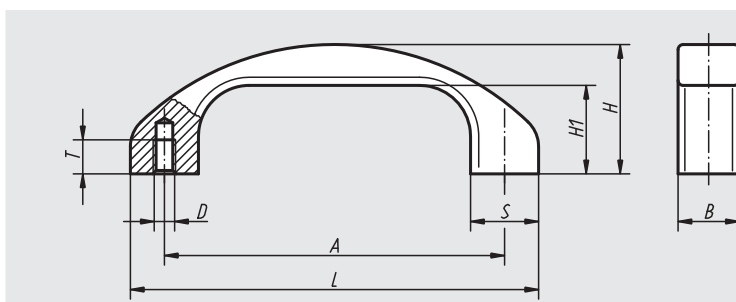
# Stirrup-shaped handles



**Material:**  
Profile aluminium EN AW-6060

**Surface finish:**  
High quality anodized version, glass-ball blasted, semi-matt finish

**Sample order:**  
nlm 06910-120061



Order No.	Surface finish	A	B	D	H	H1	L	S	T	Load bearing capacity N	Approx. weight kg
06910-120061	black anodized	120	22	M6	46	31	144	24	12	1000	0,145
06910-140081	black anodized	140	25	M8	53	36	168	28	15	1000	0,220
06910-120063	natural colour anodized	120	22	M6	46	31	144	24	12	1000	0,145
06910-140083	natural colour anodized	140	25	M8	53	36	168	28	15	1000	0,220