

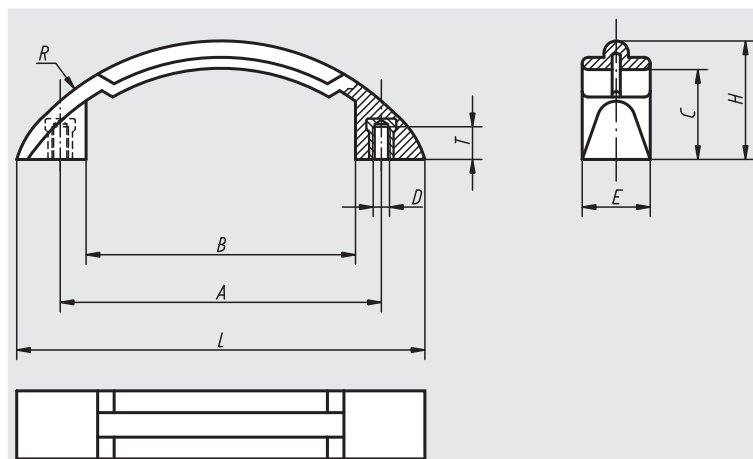
06911

## Stirrup-shaped handle



**Material, surface finish:**  
Anthracite grey thermoplastic; bush in brass.

**Sample order:**  
nlm 06911-11906



Order No.	D	A	B	C	E	H	L	R	T	Approx. weight kg
06911-11906	M6	119	98	33	25	43,5	150	94	10	0,045

06912

## Slating stirrup-shaped handles

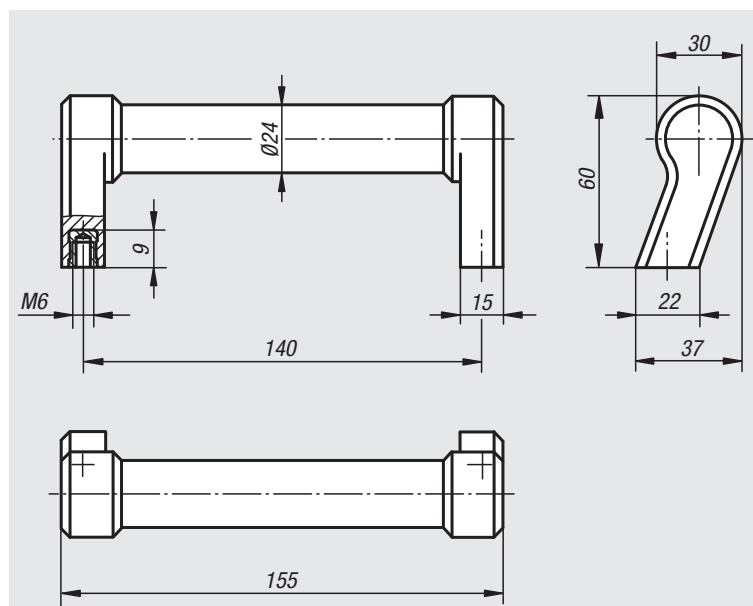


**Material:**  
Grip in glass-ball reinforced thermoplastic; threaded bush in brass

**Surface finish:**  
Matt black or light grey

**Sample order:**  
nlm 06912-140061

**Note:**  
Slant compact polyamide handle. Handle tube and handle foot are one unit. With its slanted contact surfaces, assembly is also possible under cramped spacial conditions.



Order No.	Colour	Load bearing capacity N	Approx. weight kg
06912-140061	matt black	1000	0,148
06912-140062	light grey	1000	0,148