

# Stirrup-shaped handles

with soft inner surface



## Material:

Hard component in glass-ball reinforced thermoplastic;  
soft component in SEBS

## Surface finish:

Hard component matt black;  
soft component basalt grey

## Sample order:

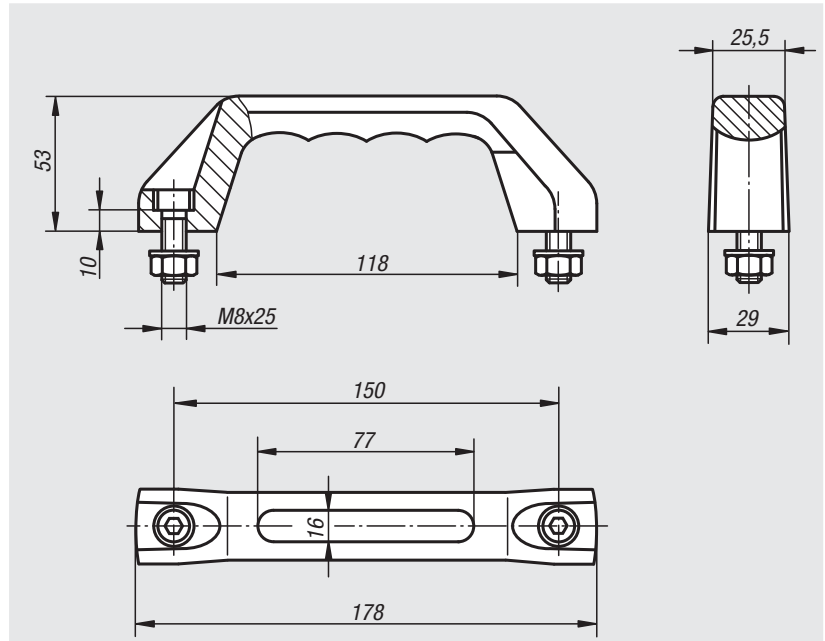
nIm 06913-515008

## Note:

Heavy-duty polyamide handle. Excellent carrying and gripping comfort thanks to its soft inner surface. Black galvanized cylindrical screws, nuts and washers are supplied. For wet areas, the fastening material is supplied in refined steel (1.4301).

## On request:

With and without individual inscription, embossed or raised. Hard component and soft component are available in all RAL colours.



Order No.	Surface finish	Load bearing capacity N	Approx. weight kg
06913-515008	-	500	0,186
06913-615008	for wet areas	500	0,186