

Stirrup-shaped handles, stainless steel



Material:

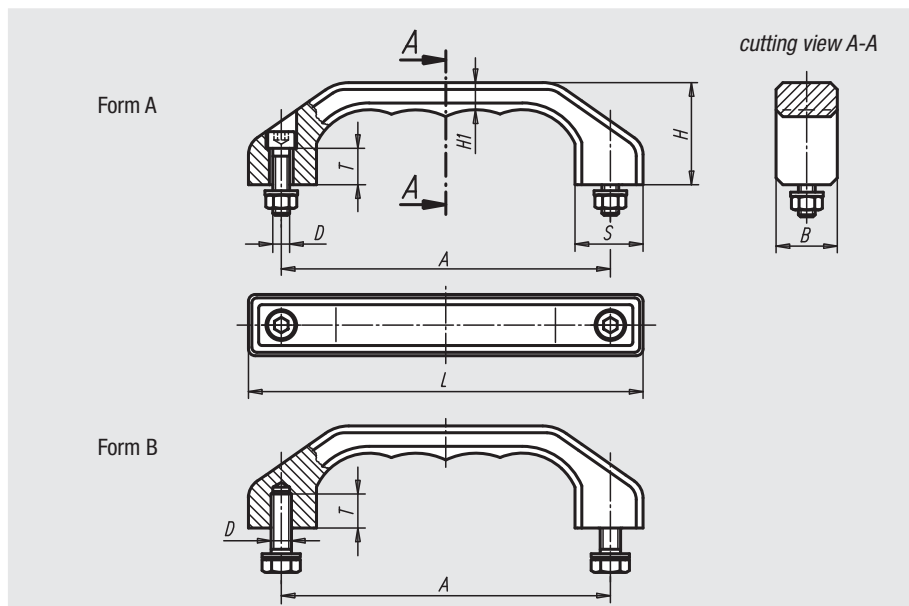
Precision cast stainless steel 1.4308,
Fasteners made of 1.4301

Surface finish:

Abrasive cleaned and matt gloss electropolished.

Sample order:

nIm 06914-140081



Order No.	Form	A	B	D	H	H1	L	S	T	Load bearing capacity N	Approx. weight kg
06914-140081	A	140	25	M8x30	45	12	170	28	15	1000	0,550
06914-180101	A	180	32	M10x40	58	15	218	36	18	1000	1,460
06914-140082	B	140	25	M8x18	45	12	170	28	15	1000	0,550
06914-180102	B	180	32	M10x20	58	15	218	36	18	1000	1,460

Stirrup-shaped handles



Material:

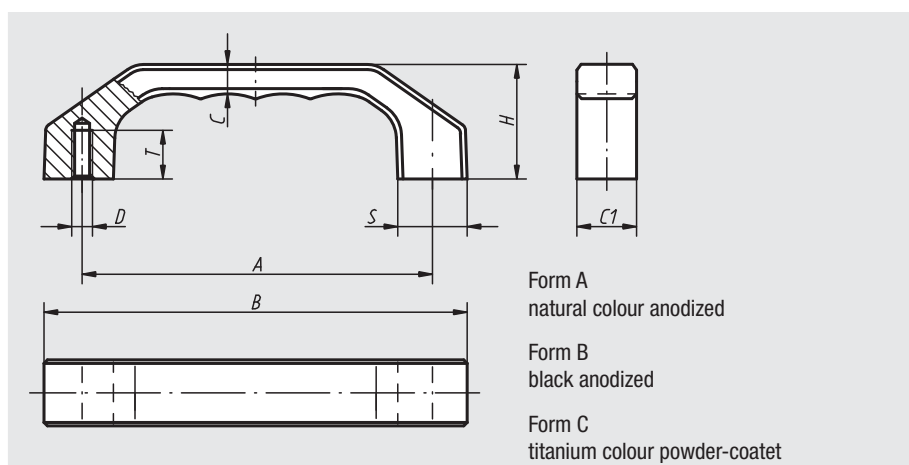
EN AW-6060

Surface finish:

Matt-finished and anodized or powder-coated

Sample order:

nIm 06915-140082



Order No. Form A	Order No. Form B	Order No. Form C	A	B	C	C1	D	H	S	T	Load bearing capacity N	Approx. weight kg
06915-120061	06915-120062	06915-120063	120	146	10,5	22	M6	39	24	15	1000	0,127
06915-140081	06915-140082	06915-140083	140	170	12	25	M8	45	28	16	1000	0,193
06915-160081	06915-160082	06915-160083	160	194	13,5	28	M8	52	32	16	1000	0,293