

Stirrup-shaped handles



Material, surface finish:

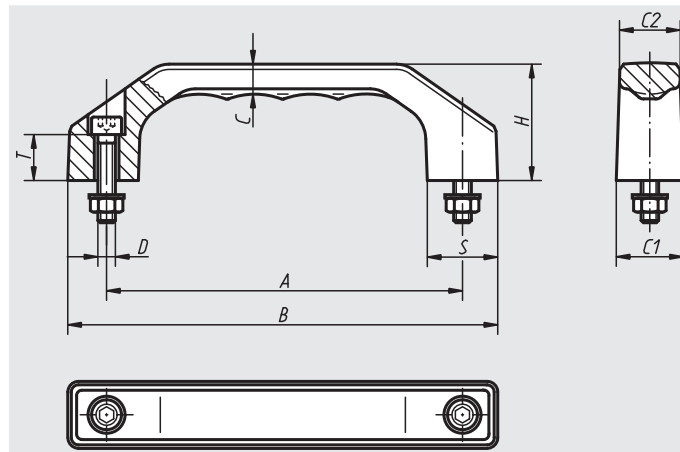
Glass bead reinforced thermoplastic;
 matt black with fine texture

Sample order:

nIm 06916-140082

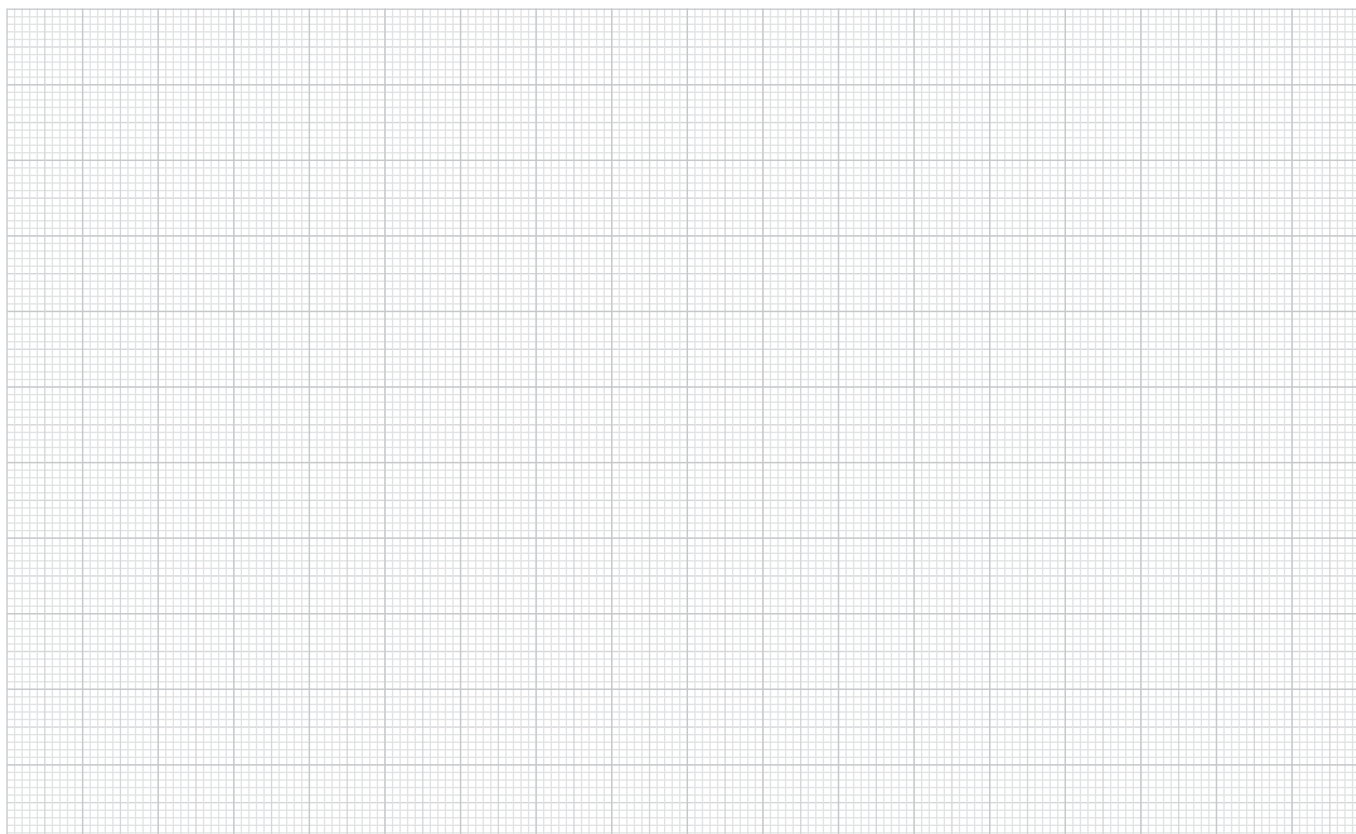
Note:

These handles possess extreme torsional strength and are highly operator friendly. Fastening screws, nuts and flat washers are supplied. For wet areas, the fastening screws, nuts and flat washers are supplied in refined steel.



Order No. -	Order No. for wet areas	A	B	C	C1	C2	D	H	S	T	Load bearing capacity N	Approx. weight kg
06916-100051	06916-100052	100	122	8,5	19	17	M5x22	33	20	13	1000	0,049
06916-120061	06916-120062	120	146	10,5	23	20,5	M6x25	39	24	15	1000	0,088
06916-140081	06916-140082	140	170	12	27	24	M8x30	45	28	16	1000	0,158
06916-160081	06916-160082	160	194	13,5	31	27,5	M8x35	52	32	20	1000	0,212
06916-180081	06916-180082	180	218	15,5	35	31	M10x40	58	36	20	1000	0,350

Notes



01000
02000
03000
04000
05000
06000
07000
08000
09000
20000
21000
22000
23000