

Oval bow handles


Material:

Oval aluminium EN AW-6060

Surface finish:

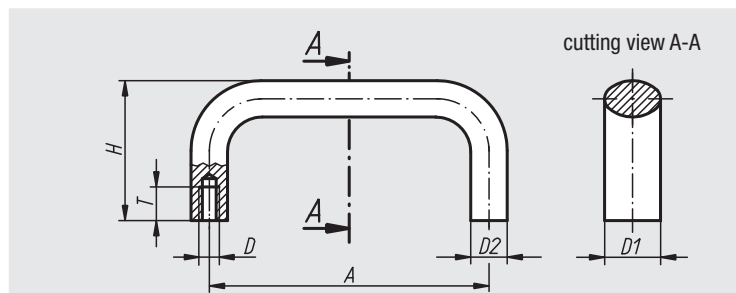
Black powder-coated, natural colour anodized

Sample order:

nIm 06920-10001

Note:

These handles are extremely robust and can be used where heavy duty equipment is called for.



Order No. black powder-coated	Order No. natural colour anodized	A	D	D1	D2	H	T	Load bearing capacity N
06920-10001	06920-10003	100	M6	20	13	50	12	1000
06920-11201	06920-11203	112	M6	20	13	50	12	1000
06920-12001	06920-12003	120	M6	20	13	50	12	1000
06920-12801	06920-12803	128	M6	20	13	50	12	1000
06920-1600106	06920-1600306	160	M6	20	13	50	12	1000
06920-1120108	06920-1120308	112	M8	26	17	55	14	1000
06920-1200108	06920-1200308	120	M8	26	17	55	14	1000
06920-1280108	06920-1280308	128	M8	26	17	55	14	1000
06920-16001	06920-16003	160	M8	26	17	55	14	1000
06920-18001	06920-18003	180	M8	26	17	55	14	1000
06920-19201	06920-19203	192	M8	26	17	55	14	1000
06920-35001	06920-35003	350	M8	26	17	55	14	1000

Flat profile bow handles


Material:

Profile aluminium EN AW-6060

Surface finish:

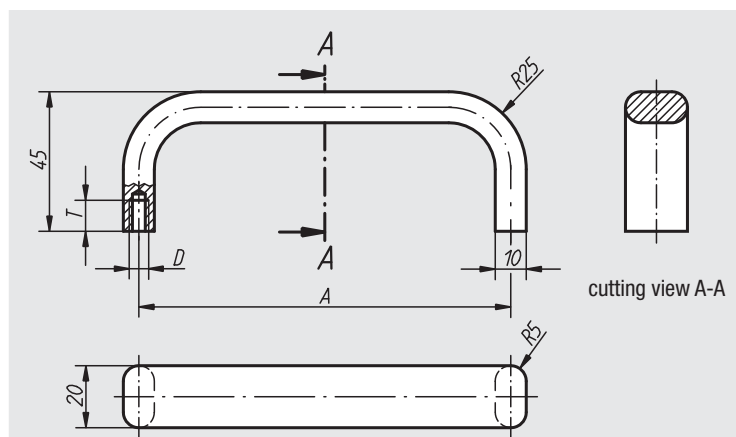
Matt-finished, black or natural colour anodized

Sample order:

nIm 06921-18001

Note:

These elegant flat profile bow handles made of aluminium are especially suitable for machines, appliances, apparatuses, jigs and fixtures, etc.



Order No. black anodized	Order No. natural colour anodized	A	D	T	Load bearing capacity N	Approx. weight kg
06921-12001	06921-12003	120	M5	10	500	0,085
06921-18001	06921-18003	180	M5	10	500	0,100
06921-20001	06921-20003	200	M5	10	500	0,120
06921-35001	06921-35003	350	M6	12	500	0,190