

Stirrup-shaped handles in stainless steel

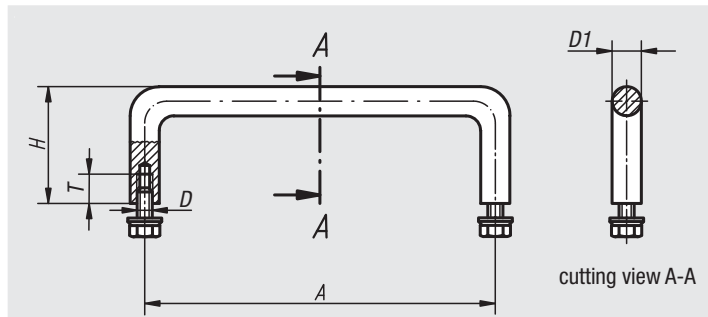


Material:
Handle stainless steel 1.4305,
Fasteners made of 1.4301

Surface finish:
Electropolished.

Sample order:
nlm 06922-120

Note:
Stainless steel pull handles are used mainly on equipment in the medical and food industry as well as in laboratories and nuclear technology.



Order No.	A	D	D1	H	T	Load bearing capacity N	Approx. weight kg
06922-100	100	M5x10	8	35	10	1000	0,060
06922-120	120	M5x10	10	40	10	1000	0,100
06922-250	250	M5x10	10	40	10	1000	0,185
06922-350	350	M5x10	10	40	10	1000	0,250

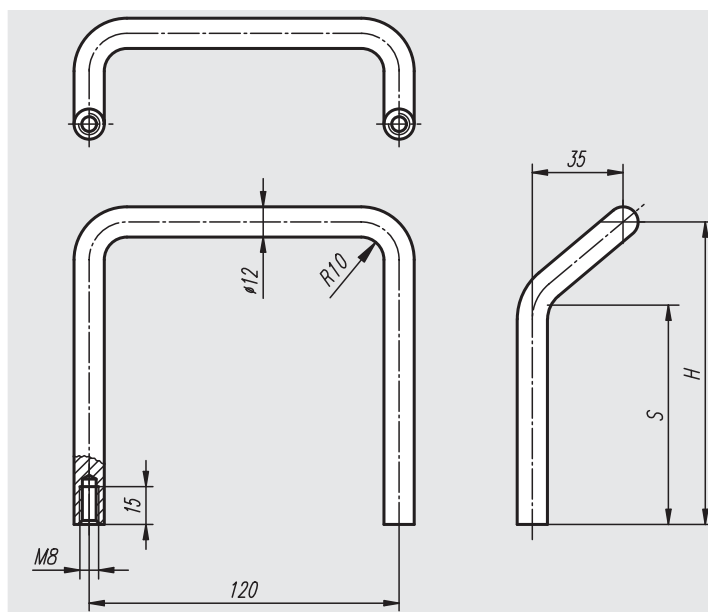
Angled machine handles



Material:
Round steel

Surface finish:
Very finely ground and high-polish chromium-plated

Sample order:
nlm 06923-06008



Order No.	H	S	Load bearing capacity N	Approx. weight kg
06923-06008	60	27	1000	0,190
06923-12008	120	87	1000	0,287