

Stirrup-shaped handles in stainless steel


Material:

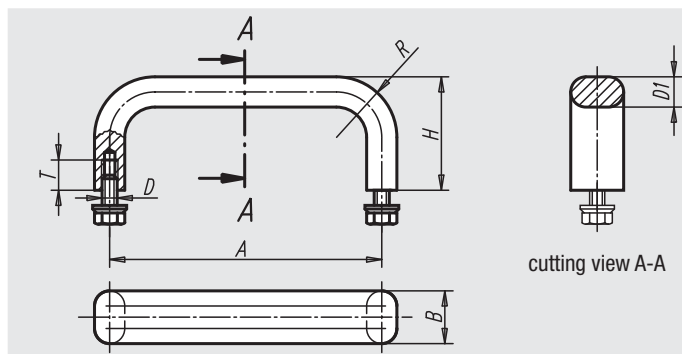
Stirrup-shaped handle in stainless steel 1.4305, fastening material 1.4301

Surface finish:

Vibratory ground satin surface finish

Sample order:

nIm 06924-10005



Order No.	A	B	D	D1	H	R	T	Load bearing capacity N	Approx. weight kg
06924-10005	100	12	M5x10	8	40	22	10	1000	0,105
06924-12005	120	12	M5x10	8	40	22	10	1000	0,118
06924-15005	150	12	M5x10	8	40	22	10	1000	0,138
06924-18005	180	12	M5x10	8	40	22	10	1000	0,158
06924-25005	250	12	M5x10	8	40	22	10	1000	0,205
06924-10006	100	19,5	M6x12	10	45	24	12	1000	0,216
06924-12006	120	19,5	M6x12	10	45	24	12	1000	0,241
06924-15006	150	19,5	M6x12	10	45	24	12	1000	0,279
06924-18006	180	19,5	M6x12	10	45	24	12	1000	0,318
06924-25006	250	19,5	M6x12	10	45	24	12	1000	0,407

All-purpose machine handles


Material:

Aluminium

Surface finish:

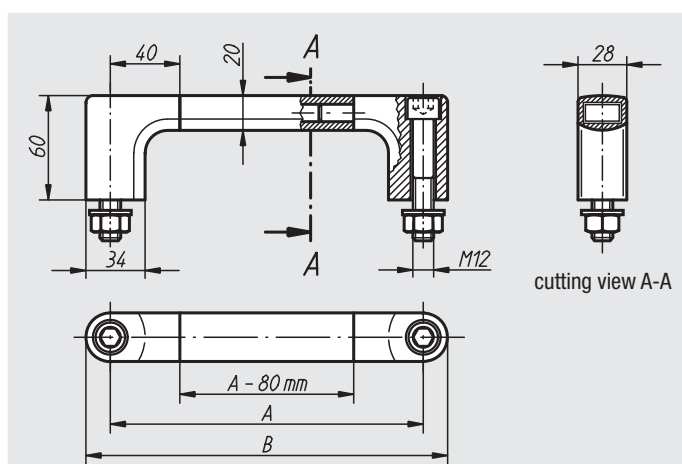
Grip leg black powder-coated; connecting bridge natural colour anodized

Sample order:

nIm 06925-300

Note:

Black galvanized fastening screws with hexagon socket M12x70 as well as suitable washers and nuts are supplied.



Order No.	A	B	Load bearing capacity N	Approx. weight kg
06925-180	180	208	1000	0,552
06925-200	200	228	1000	0,575
06925-250	250	278	1000	0,620
06925-300	300	328	1000	0,695
06925-350	350	378	1000	0,732
06925-400	400	428	1000	0,758
06925-500	500	528	1000	0,815
06925-600	600	628	1000	0,895