

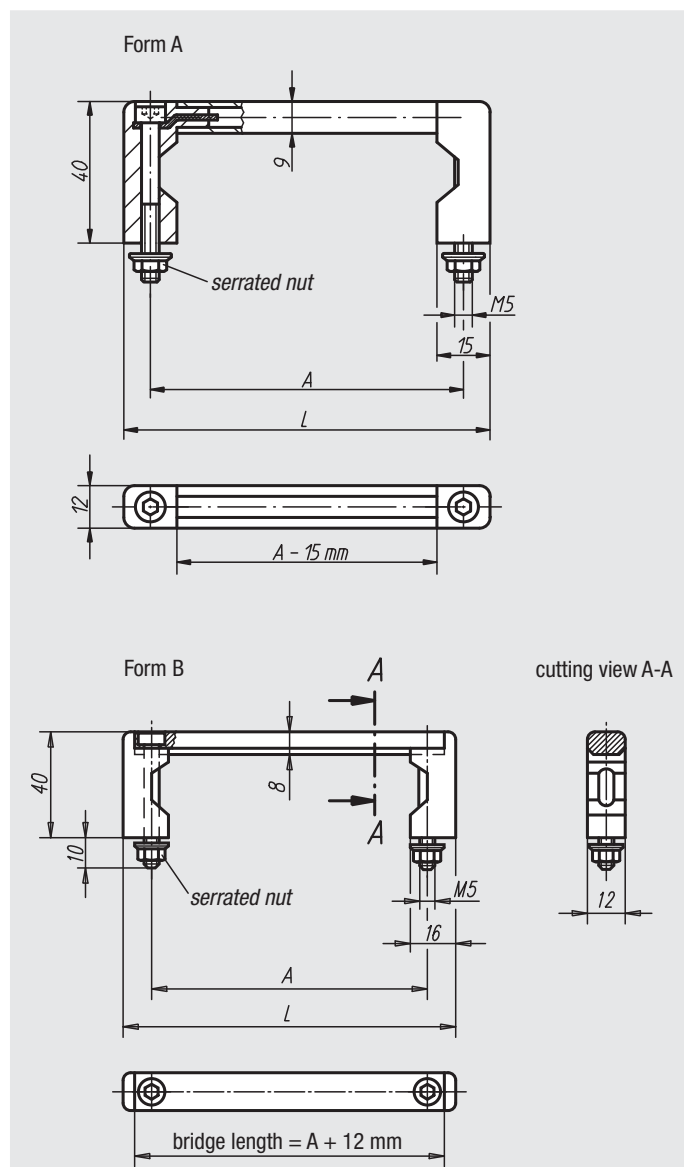
All-purpose apparatus handles



Material:
Aluminium connecting bridge;
grip legs in glass-ball reinforced polyamide

Surface finish:
Grip legs, half-matt with fine structure, black;
connecting bridge matt-finished and natural colour or black anodized

Sample order:
nlm 06932-10001



| Order No. black anodized | Order No. natural colour anodized | Form | A | L | Load bearing capacity N |
|-----------------------------|--------------------------------------|------|-----|-----|-------------------------|
| 06932-05501 | 06932-05503 | A | 55 | 70 | 1000 |
| 06932-08801 | 06932-08803 | A | 88 | 103 | 1000 |
| 06932-10001 | 06932-10003 | A | 100 | 115 | 1000 |
| 06932-12001 | 06932-12003 | A | 120 | 135 | 1000 |
| 06932-18001 | 06932-18003 | A | 180 | 195 | 1000 |
| 06932-23501 | 06932-23503 | A | 235 | 250 | 1000 |
| 06932-055101 | 06932-055103 | B | 55 | 75 | 1000 |
| 06932-088101 | 06932-088103 | B | 88 | 108 | 1000 |
| 06932-100101 | 06932-100103 | B | 100 | 120 | 1000 |
| 06932-120101 | 06932-120103 | B | 120 | 140 | 1000 |
| 06932-180101 | 06932-180103 | B | 180 | 200 | 1000 |
| 06932-235101 | 06932-235103 | B | 235 | 255 | 1000 |