

## All-purpose apparatus handles



19"

**Material:**

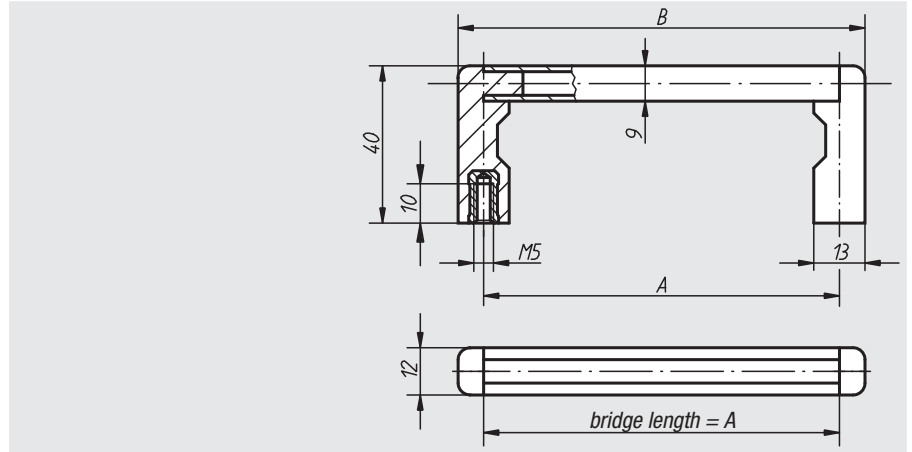
Connecting bridge in aluminium; grip leg in high-strength plastic

**Sample order:**

nIm 06933-05501

**Note:**

The centre distance can be adjusted by shortening the connecting bridge.



Order No. connecting bridge black anodized	Order No. connecting bridge natural colour anodized	A	B	Load bearing capacity N	Approx. weight kg
06933-05501	06933-05503	55	69	1000	0,026
06933-08801	06933-08803	88	102	1000	0,030
06933-10001	06933-10003	100	114	1000	0,032
06933-12001	06933-12003	120	134	1000	0,035
06933-18001	06933-18003	180	194	1000	0,044
06933-23501	06933-23503	235	249	1000	0,053

## Measurement device handles



**Material:**

Steel or stainless steel 1.4305

**Surface finish:**

Surface very finely ground and high-polish chromium-plated;  
form B connecting bridge with additional smooth plastic coating;  
form C semi-matt finish, no score marks, vibration ground

**Sample order:**

nIm 06934-1201

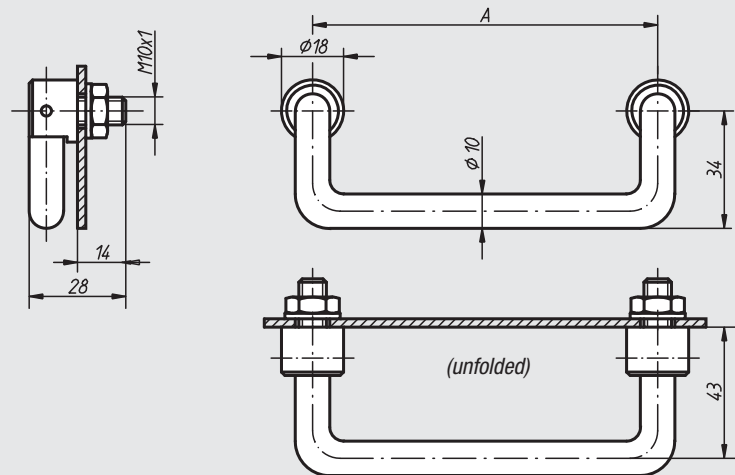
**Note:**

Galvanized flat washers and nuts are supplied. Form C fastening material in stainless steel. Spring lock in both end positions.

Form A  
surface very finely ground and high-polish chromium-plated

Form B  
like form A, connecting bridge with additional smooth plastic coating

Form C  
stainless steel, surface vibration ground



Order No. Form A	Order No. Form B	Order No. Form C	A	Load bearing capacity N	Approx. weight kg
06934-1001	06934-1002	06934-1003	100	500	0,135
06934-1201	06934-1202	06934-1203	120	500	0,160
06934-1801	06934-1802	06934-1803	180	500	0,215