

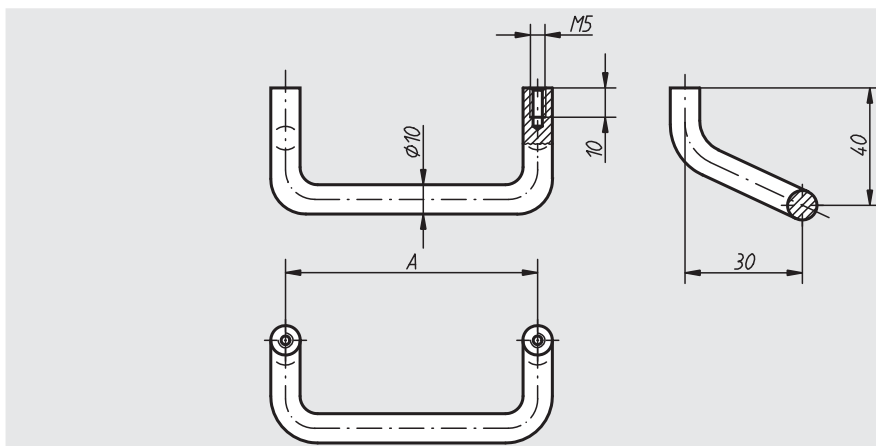
Angled draw-pull handles



Material:
Aluminium

Surface finish:
Matt-finished, black anodized or natural colour anodized

Sample order:
nlm 06935-12001



Order No. black anodized	Order No. natural colour anodized	A	Load bearing capacity N	Approx. weight kg
06935-08601	06935-08603	86	500	0,037
06935-12001	06935-12003	120	500	0,045
06935-18001	06935-18003	180	500	0,058

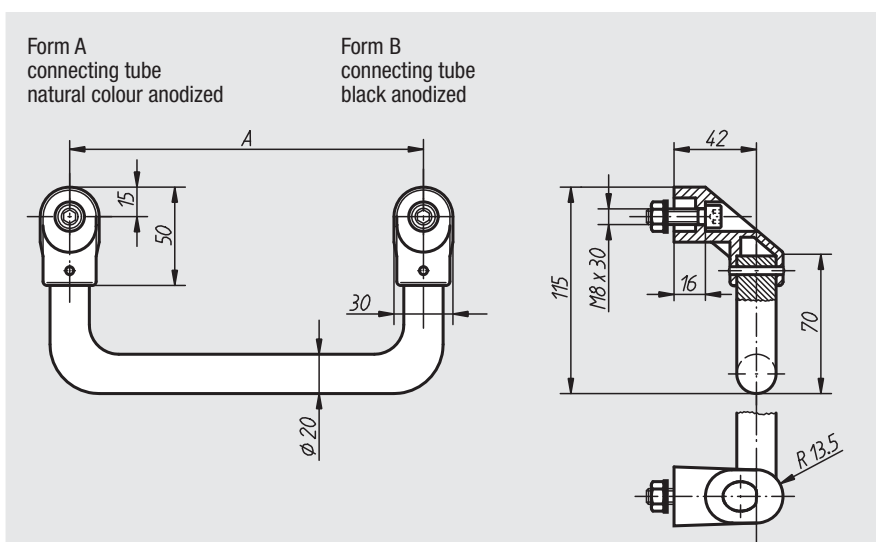
Bowed tube handles



Material, surface finish:
Grip legs in black glass-ball reinforced thermoplastic; connecting tube aluminium, anodized

Sample order:
nlm 06936-3002

Note:
The grip legs are pinned to the aluminium connecting tube. Black galvanized cylindrical screws with hexagon socket, nuts and washers are supplied.



Order No. Form A	Order No. Form B	A	Load bearing capacity N	Approx. weight kg
06936-2001	06936-2002	200	800	0,361
06936-2501	06936-2502	250	800	0,410
06936-3001	06936-3002	300	800	0,451
06936-3501	06936-3502	350	800	0,493
06936-4001	06936-4002	400	800	0,525