

Tube handles



Material:

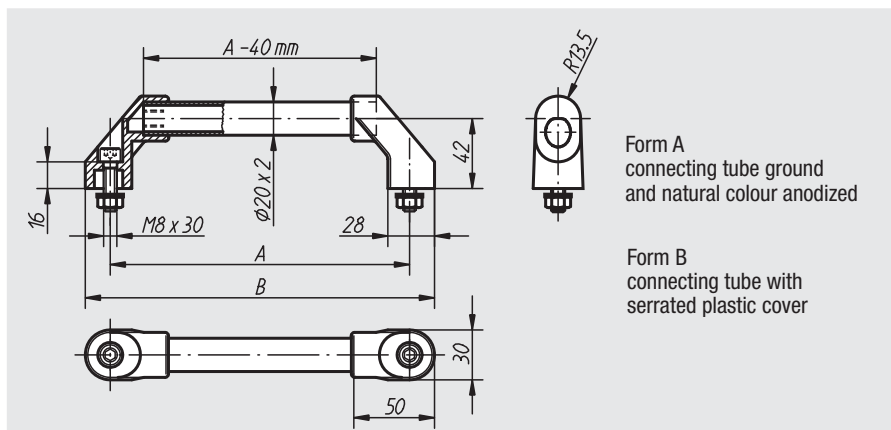
Grip legs in black glass-ball reinforced thermoplastic; connecting tube aluminium EN AW-6060

Sample order:

nIm 06937-3001

Note:

The grip legs have four clamping webs within the area of the tube receiver. When pushing the connecting tube in, they are abraded and produce a seat with a precise fit. Black galvanized fastening screws as well as suitable washers and nuts are supplied.



Order No. Form A	Order No. Form B	A	B	Load bearing capacity N	Approx. weight kg
06937-1801	06937-1802	180	210	1000	0,170
06937-2001	06937-2002	200	230	1000	0,175
06937-2501	06937-2502	250	280	1000	0,190
06937-3001	06937-3002	300	330	1000	0,205
06937-3501	06937-3502	350	380	1000	0,220
06937-4001	06937-4002	400	430	1000	0,235
06937-5001	06937-5002	500	530	1000	0,270
06937-6001	06937-6002	600	630	1000	0,300

Notes

