

# Tube handles



### Material:

Connecting tube stainless steel 1.4301;  
fastener die-cast aluminium;  
glass-ball reinforced end cap;  
screws and steel clamping device

### Surface finish:

Connecting tube finely ground;  
fastener black powder-coated;  
end cap black;  
screws and clamping device galvanized and chromated

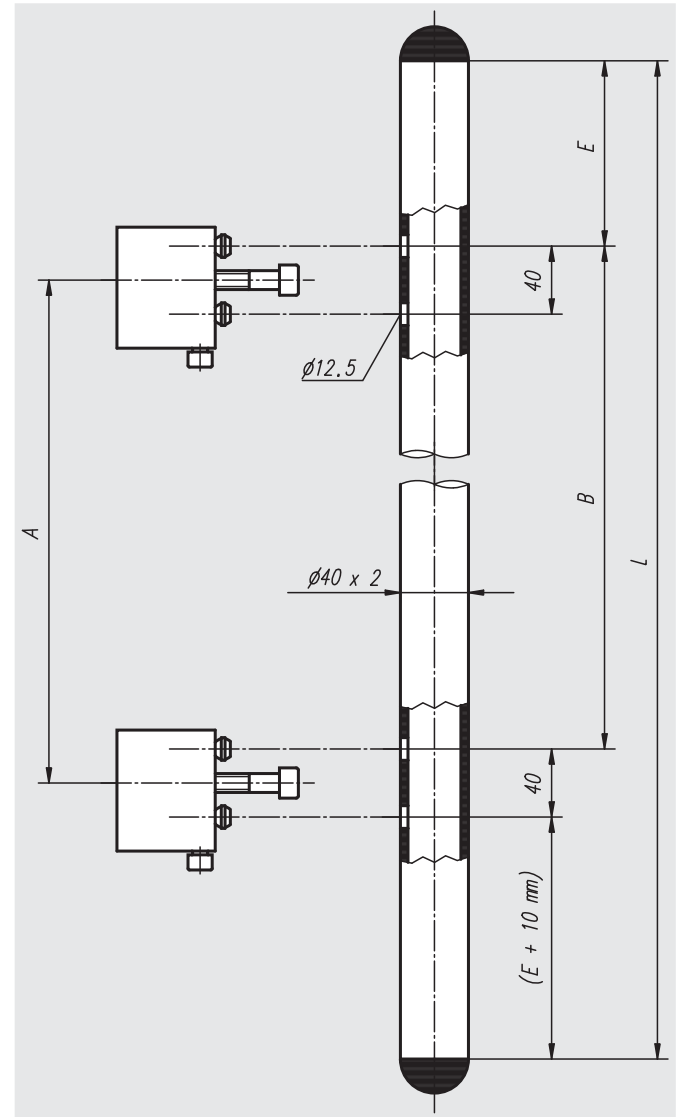
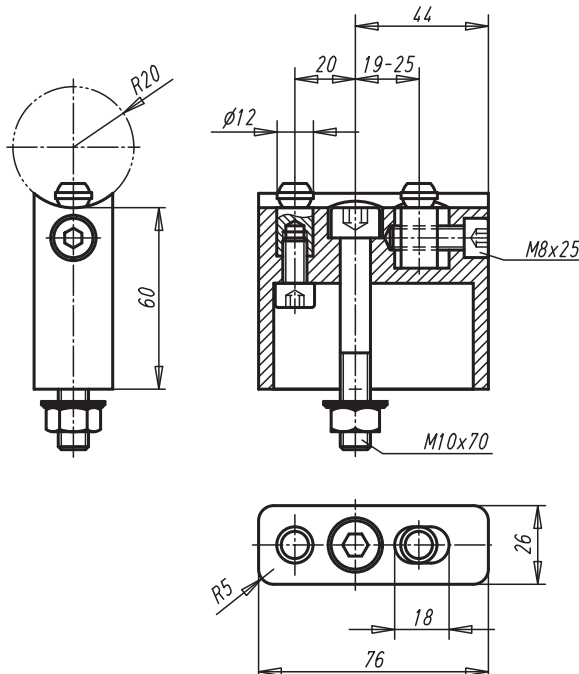
### Sample order:

nIm 06941-0600101

### Note:

High load rating tube handles for mechanical and process equipment engineering. Easy mounting of components from front side. Any screw distance possible for same handle length.

clamping diagram, holder:



Order No.	A	B	E	L	Load bearing capacity N	Approx. weight kg
06941-0600101	380	380	85	600	1000	1,847
06941-0700101	480	480	85	700	1000	2,029
06941-0800101	500	500	125	800	1000	2,212
06941-0900101	600	600	125	900	1000	2,395
06941-1000101	700	700	125	1000	1000	2,577