

Tube handles stainless steel



Material:

Connecting tube and fasteners made of stainless steel 1.4301,
Handle shank precision cast 1.4581

Surface finish:

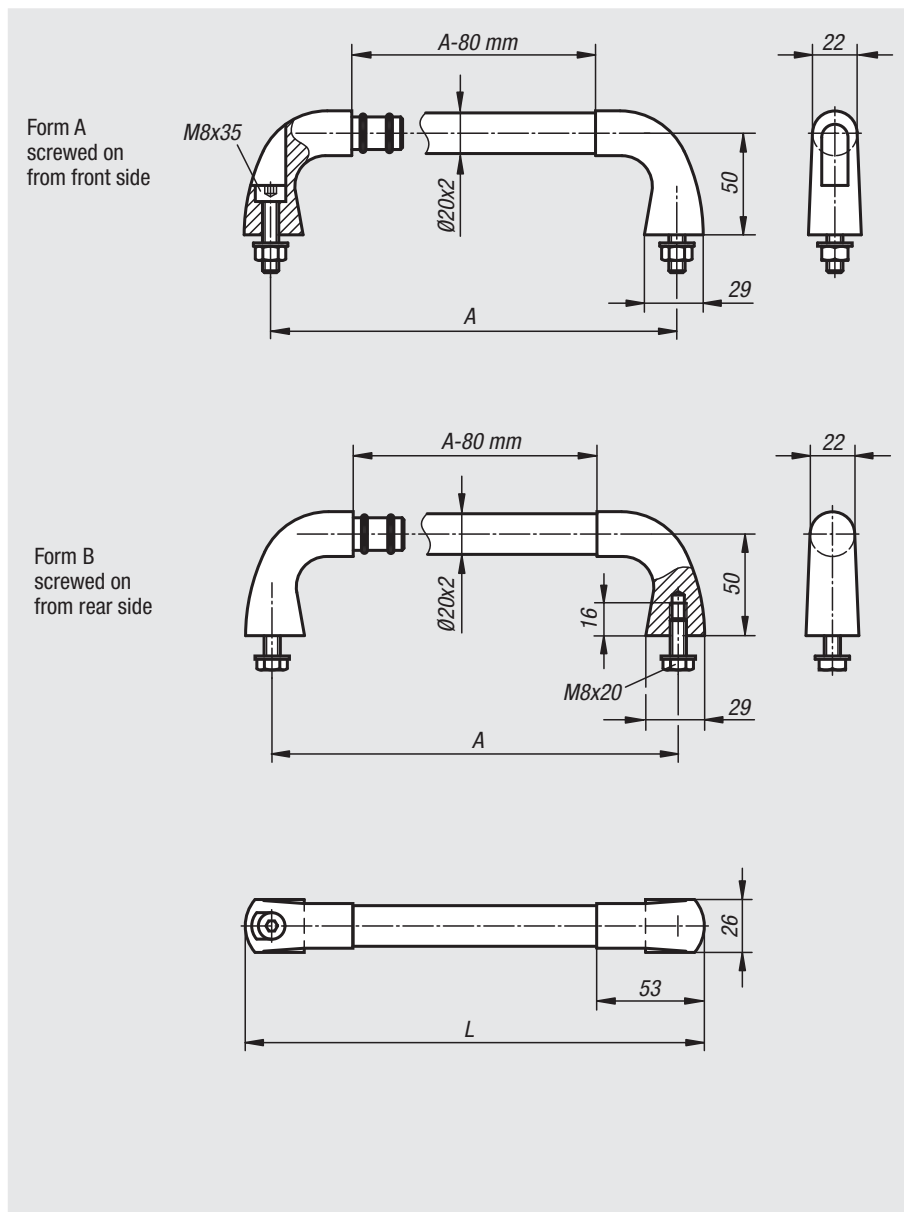
Connecting tube finely ground or with ribbed black plastic sleeve.
Shanks abrasive cleaned and matt gloss electropolished.

Sample order:

nIm 06943-200081

Note:

Socket head screws with nuts and washers are supplied for tube handles Form A.
Hexagon head screws and suitable washers are supplied for tube handles Form B.



Order No.	Form	Surface finish	A	L	Load bearing capacity N	Approx. weight kg
06943-200081	A	tube ground	200	226	1000	0,680
06943-300081	A	tube ground	300	326	1000	0,775
06943-400081	A	tube ground	400	426	1000	0,865
06943-200082	A	tube with plastic cover	200	226	1000	0,680
06943-300082	A	tube with plastic cover	300	326	1000	0,775
06943-400082	A	tube with plastic cover	400	426	1000	0,865
06943-200083	B	tube ground	200	226	1000	0,710
06943-300083	B	tube ground	300	326	1000	0,800
06943-400083	B	tube ground	400	426	1000	0,900
06943-200084	B	tube with plastic cover	200	226	1000	0,710
06943-300084	B	tube with plastic cover	300	326	1000	0,800
06943-400084	B	tube with plastic cover	400	426	1000	0,900