

Machine handles

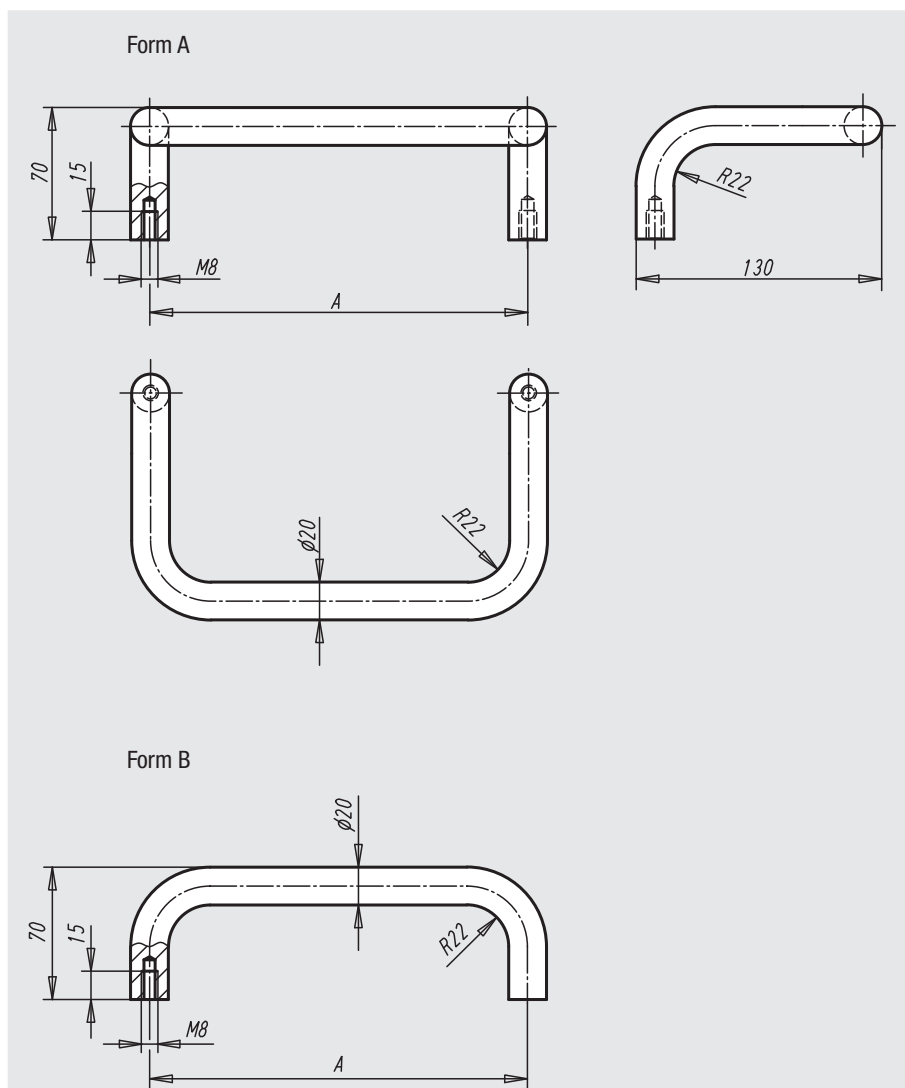


Material:
Round steel

Surface finish:
Ground, brushed and matt-finish chromium-plated or black powder-coated with fine texture

Sample order:
nlm 06946-200081

Note:
Available as simple stirrup-shaped handle or angled.



Order No.	Form	Surface finish	A	Load bearing capacity N	Approx. weight kg
06946-200081	A	matt-finished chromium-plated	200	1000	1,150
06946-350081	A	matt-finished chromium-plated	350	1000	1,525
06946-200082	A	black powder-coated	200	1000	1,150
06946-350082	A	black powder-coated	350	1000	1,525
06946-200083	B	matt-finished chromium-plated	200	1000	0,680
06946-250083	B	matt-finished chromium-plated	250	1000	0,810
06946-300083	B	matt-finished chromium-plated	300	1000	0,930
06946-350083	B	matt-finished chromium-plated	350	1000	1,060
06946-200084	B	black powder-coated	200	1000	0,680
06946-250084	B	black powder-coated	250	1000	0,810
06946-300084	B	black powder-coated	300	1000	0,930
06946-350084	B	black powder-coated	350	1000	1,060