

Angled leg handles

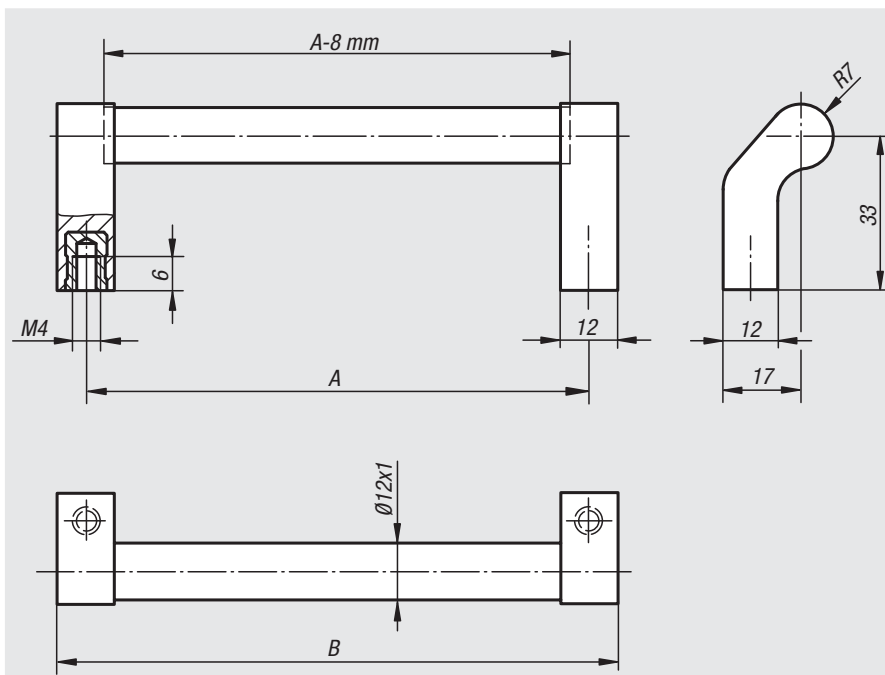


Material:
 Connecting tube in aluminium EN AW-6060 or stainless steel 1.4301;
 grip leg in polyamide, glass-ball reinforced;
 threaded bush in brass

Surface finish:
 Connecting tube natural colour or black anodized resp. stainless steel finely ground;
 grip leg matt black

Sample order:
 nlm 06956-088041

Note:
 Precision fit of tube on plastic grip leg due to clamping webs.



Order No.	Surface finish	A	B	Load bearing capacity N	Approx. weight kg
06956-088041	natural colour anodized	88	100	200	0,028
06956-096041	natural colour anodized	96	108	200	0,029
06956-120041	natural colour anodized	120	132	200	0,031
06956-128041	natural colour anodized	128	140	200	0,033
06956-160041	natural colour anodized	160	172	200	0,035
06956-180041	natural colour anodized	180	192	200	0,037
06956-088042	black anodized	88	100	200	0,028
06956-096042	black anodized	96	108	200	0,029
06956-120042	black anodized	120	132	200	0,031
06956-128042	black anodized	128	140	200	0,033
06956-160042	black anodized	160	172	200	0,035
06956-180042	black anodized	180	192	200	0,037
06956-088043	stainless steel	88	100	200	0,042
06956-096043	stainless steel	96	108	200	0,044
06956-120043	stainless steel	120	132	200	0,051
06956-128043	stainless steel	128	140	200	0,053
06956-160043	stainless steel	160	172	200	0,062
06956-180043	stainless steel	180	192	200	0,067