

Apparatus handles



Material:

Connecting bridge in aluminium EN AW-6060;
grip leg in polyamide glass-ball reinforced;
threaded bush in brass

Surface finish:

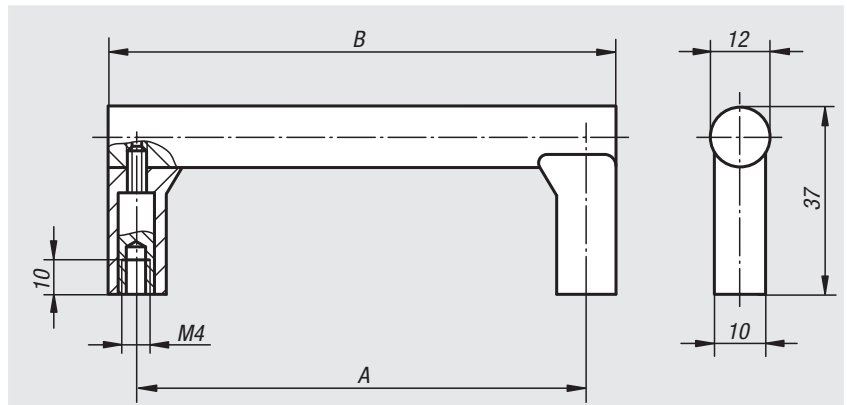
Connecting bridge finely ground and natural colour or black
anodized;
grip leg aluminium colour or black

Sample order:

nln 06958-1055041

Note:

Connecting bridge and grip leg are firmly screwed with each other.



Order No. Connecting bridge natural colour anodized, grip leg aluminium colour	Order No. Connecting bridge natural colour anodized, grip leg black	Order No. Connecting bridge black anodized, grip leg aluminium colour	Order No. Connecting bridge black anodized, grip leg black	A	B	Load bearing capacity N	Approx. weight kg
06958-1055041	06958-1055042	06958-1055043	06958-1055044	55	67	300	0,035
06958-1088041	06958-1088042	06958-1088043	06958-1088044	88	100	300	0,044
06958-1100041	06958-1100042	06958-1100043	06958-1100044	100	112	300	0,048
06958-1120041	06958-1120042	06958-1120043	06958-1120044	120	132	300	0,054
06958-1180041	06958-1180042	06958-1180043	06958-1180044	180	192	300	0,072