

Plastic handles

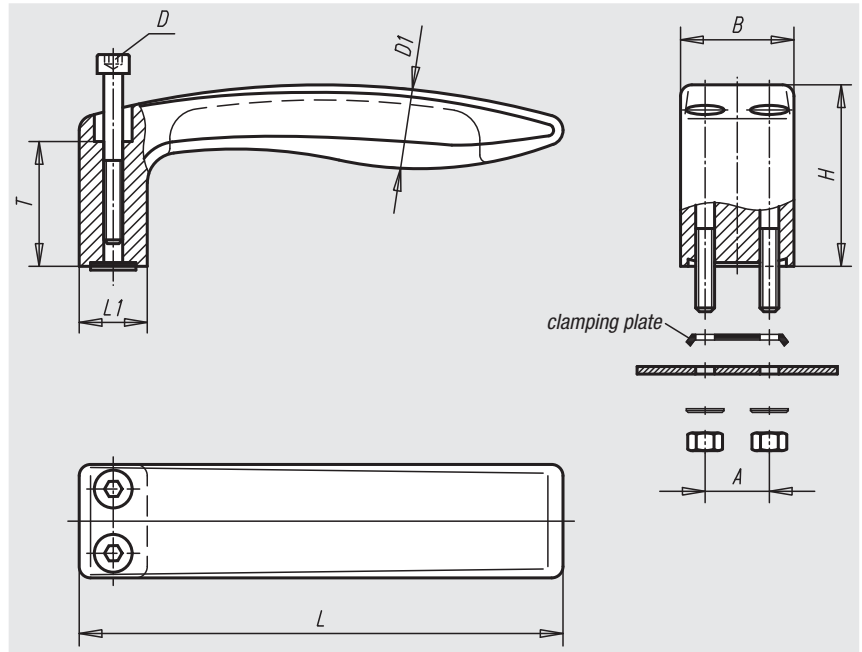


Material:
Glass-ball reinforced thermoplastic;
fastening material 1.4301

Surface finish:
Matt black with fine texture

Sample order:
nlm 06959-12805

Note:
The plastic handles can be used for one-sided mounting. They are also dimensionally stable and have a high load rating. Fastening bolts, nuts and flat washers are supplied as well as a clamping plate for extra torsion protection.



Order No.	A	B	D	D1	H	L	L1	T	Load bearing capacity N	Approx. weight kg
06959-12805	17	30	M5x45	20	48	128	18	33	800	0,106
06959-15606	20	36	M6x55	24	58	156	22	40	1000	0,186

01000
02000
03000
04000
05000
06000
07000
08000
09000
20000
21000
22000
23000