

Folding tray handles


Material:

Die cast aluminium

Surface finish:

Tray and handle black or light grey powder-coated, semi-matt

Sample order:

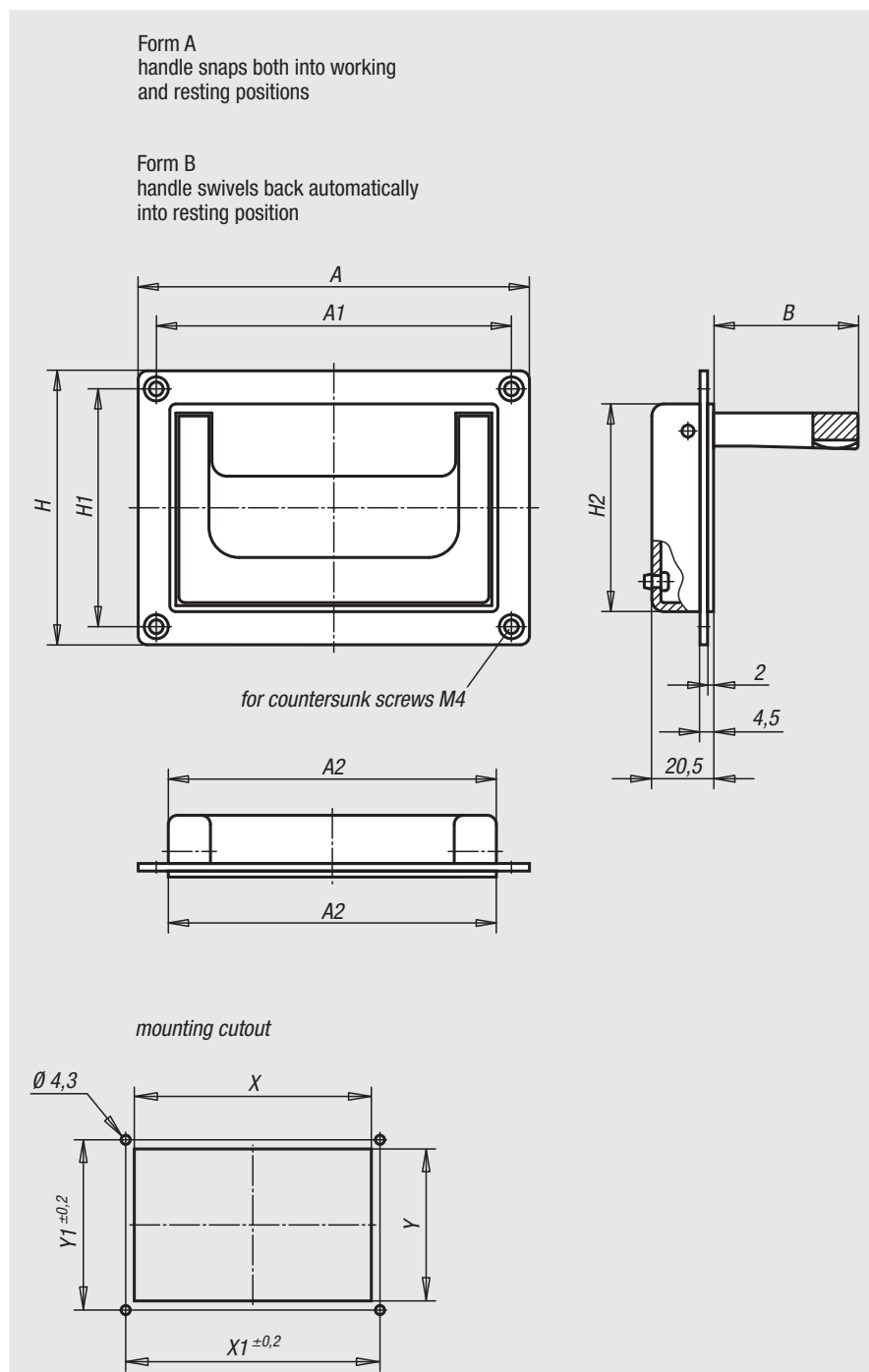
nIm 06962-05018411

Note:

With their modern design, folding tray handles can be used wherever solid and attractive handles are required. Folding tray handles form A snap into both resting and working positions. Folding tray handles form B swivel back into its resting position automatically after use.

Assembly:

The folding tray handles can be installed behind or in front of the housing panel with the same housing cutout.



Order No.	Form	Surface finish	A	A1	A2	B	H	H1	H2	X	X1	Y	Y1	Load bearing capacity N	Approx. weight kg
06962-07911811	A	black powder-coated	130	118	109	48	91	79	69	110	118	70,5	79	500	0,197
06962-05018411	A	black powder-coated	200	184	170	51	80	50	72	171	184	73	50	500	0,286
06962-07911812	A	light grey powder-coated	130	118	109	48	91	79	69	110	118	70,5	79	500	0,197
06962-05018412	A	light grey powder-coated	200	184	170	51	80	50	72	171	184	73	50	500	0,286
06962-07911821	B	black powder-coated	130	118	109	48	91	79	69	110	118	70,5	79	500	0,197
06962-05018421	B	black powder-coated	200	184	170	51	80	50	72	171	184	73	50	500	0,286
06962-07911822	B	light grey powder-coated	130	118	109	48	91	79	69	110	118	70,5	79	500	0,197
06962-05018422	B	light grey powder-coated	200	184	170	51	80	50	72	171	184	73	50	500	0,286