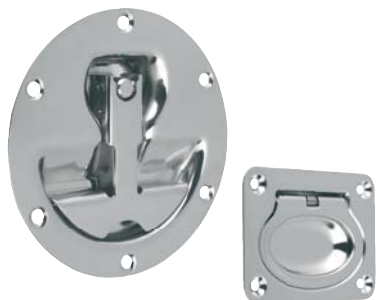


Fitting grip in stainless steel

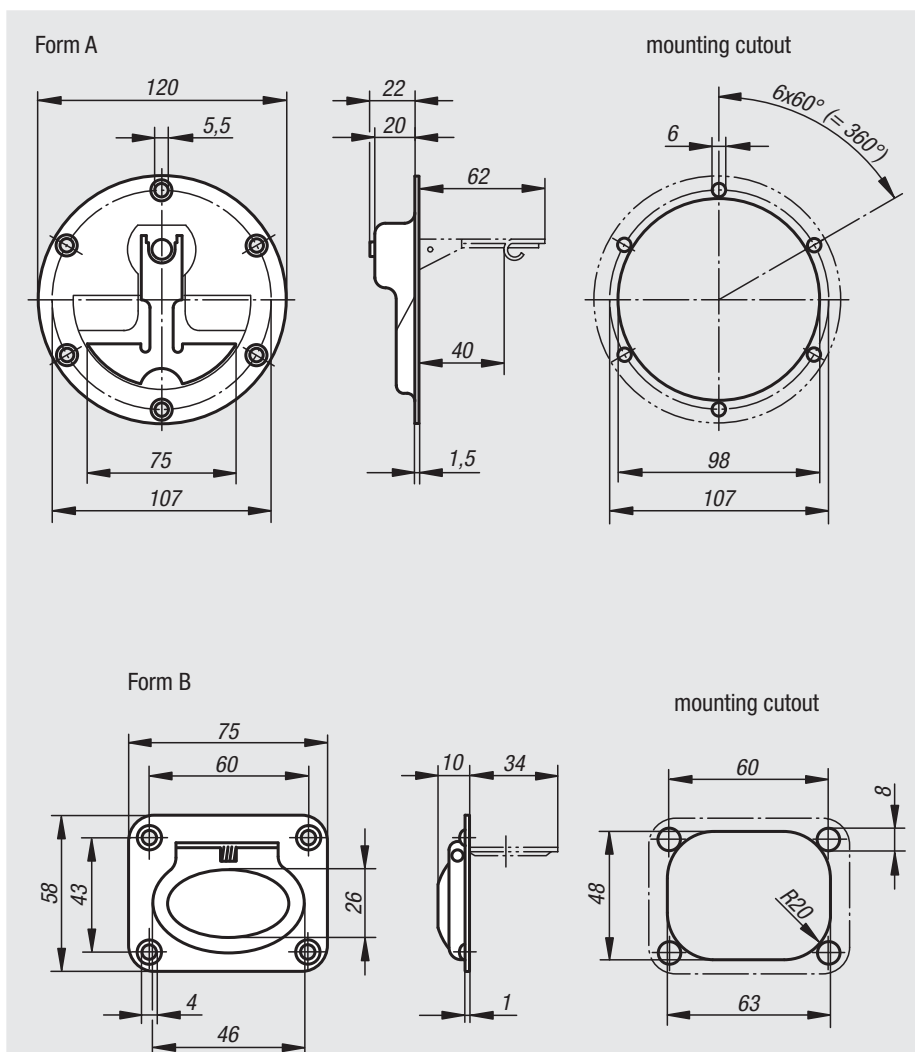


Material:
Stainless steel 1.4301

Surface finish:
High-electro-polished finish

Sample order:
nlm 06970-1120000

Note:
Stainless steel retractable grips with marginal installation depth. For base and mounting plates or drawers. With return spring. According to operation, the grip automatically swivels back into its resting position after use.



Order No.	Form	Load bearing capacity N	Approx. weight kg
06970-1120000	A	200	0,213
06970-2075058	B	200	0,051