

Machine handles



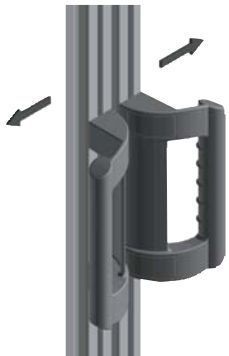
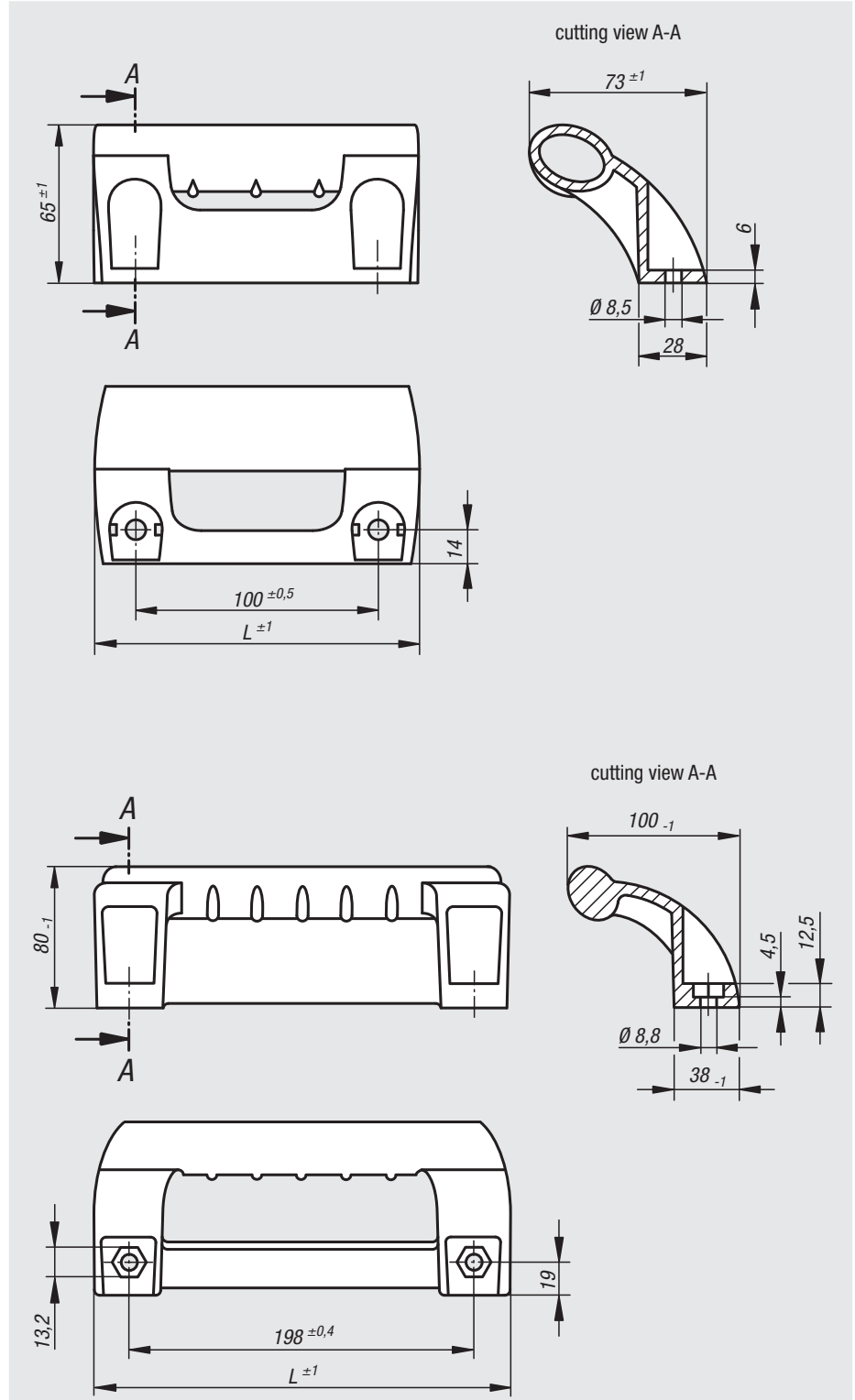
Material:
Glass-ball reinforced thermoplastic PA

Surface finish:
Black

Sample order:
nlm 06975-100081
06975-1 (1 packaging unit = 2 pieces)

Note:
Machine handles with ergonomic shape and reach-through protection for the hands. For installation on doors, flaps and aluminium profiles. Ideal for double-winged retractable doors. Fasten with hexagonal or socket head screw M8.

Covering caps are not included in delivery.



Order No.	L	Load bearing capacity N	Approx. weight kg	Order No. cover caps
06975-100081	134	1000	0,114	06975-1
06975-198081	236	1000	0,356	06975-3

01000
02000
03000
04000
05000
06000
07000
08000
09000
20000
21000
22000
23000