

# Ball pressure screws without head

with full ball, LONG-LOK secured



### Material, surface finish:

Screw in tempered steel, quality class 10.9, black.  
Ball in ball-bearing steel, hardened, natural finish  
or POM.

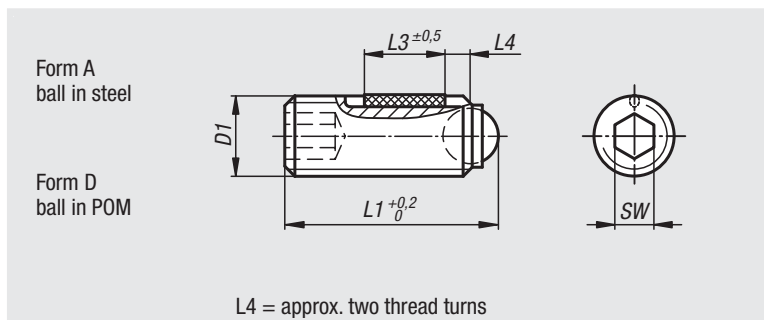
LONG-LOK thread lock in nylon.

### Sample order:

nIm 07105-1046

### Note:

Ball pressure screws without head with full ball are used when a clean, polished pressure surface is required.



Order No. Form A	Order No. Form D	D1	L1	L3	Ball-Ø	SW	Load capacity max. kN (static load only)
07105-1046	07105-3046	M4	6	2,5	2,5	2	3,5/0,3
07105-10410	07105-30410	M4	10	3,5	2,5	2	3,5/0,3
07105-10416	07105-30416	M4	16	5	2,5	2	3,5/0,3
07105-1058	07105-3058	M5	8	3,5	3	2,5	4,5/0,5
07105-10512	07105-30512	M5	12	5	3	2,5	4,5/0,5
07105-10520	07105-30520	M5	20	6	3	2,5	4,5/0,5
07105-10610	07105-30610	M6	10,8	3,5	4	3	9/0,9
07105-10616	07105-30616	M6	16,8	7	4	3	9/0,9
07105-10620	07105-30620	M6	20,8	7	4	3	9/0,9
07105-10625	07105-30625	M6	25,8	7	4	3	9/0,9
07105-10650	07105-30810	M6/M8	50,8/11,2	7/3,5	4/5,5	3/4	9/1,5
07105-10660	07105-30812	M6/M8	60,8/13,2	7/5	4/5,5	3/4	9/1,5
07105-10810	07105-30820	M8	11,2/21,2	3,5/8	5,5	4	10/1,5
07105-10812	07105-30825	M8	13,2/26,2	5/8	5,5	4	10/1,5
07105-10820	07105-30830	M8	21,2/31,2	8	5,5	4	15/1,5
07105-10825	07105-31012	M8/M10	26,2/13,7	8/5	5,5/7	4/5	15/2
07105-10830	07105-31016	M8/M10	31,2/17,7	8/9	5,5/7	4/5	15/2
07105-10850	07105-31020	M8/M10	51,2/21,7	8/9	5,5/7	4/5	15/2
07105-10860	07105-31025	M8/M10	61,2/26,7	8/9	5,5/7	4/5	15/2
07105-10880	07105-31035	M8/M10	81,2/36,7	8/9	5,5/7	4/5	15/2
07105-11012	07105-31216	M10/M12	13,7/18	5/8	7/8,5	5/6	20/3
07105-11016	07105-31220	M10/M12	17,7/22	9/10	7/8,5	5/6	20/3
07105-11020	07105-31230	M10/M12	21,7/32	9/10	7/8,5	5/6	20/3
07105-11025	07105-31240	M10/M12	26,7/42	9/10	7/8,5	5/6	20/3
07105-11035	-	M10	36,7	9	7	5	20
07105-11216	-	M12	18	8	8,5	6	30
07105-11220	-	M12	22	10	8,5	6	30
07105-11230	-	M12	32	10	8,5	6	30
07105-11240	-	M12	42	10	8,5	6	30
07105-11620	-	M16	23,3	10	12	8	60
07105-11625	-	M16	28,3	14	12	8	60
07105-11635	-	M16	38,3	14	12	8	60
07105-11650	-	M16	53,3	14	12	8	60