

# Ball pressure screws without head

short version



**Material:**

Screw in tempered steel, ball in ball-bearing steel

**Surface finish:**

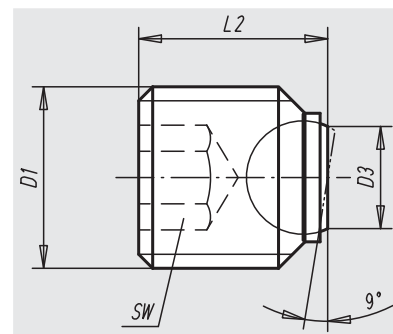
Screw class 12.9, black oxide finish;  
ball hardened, natural finish

**Sample order:**

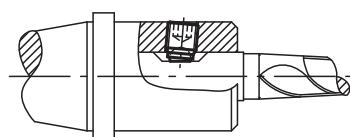
nIm 07109-1416

**Note:**

Ball Pressure Screws, short version are particularly suited to DIN 1835 E cylindrical shafts in conjunction with Whistle Notch or Weldon tool holders, for example.



application example:



Order No.	D1	L2	D3	Ball-Ø	SW	Load capacity max. kN (static load only)	Approx. weight g
07109-1416	M14	16	7,2	8,5	6	30	12,3
07109-1616	M16	16	7,2	8,5	8	30	15,2
07109-1820	M18x2	20	10,7	12	10	60	24,6
07109-2020	M20x2	20	10,7	12	10	60	30,9
07109-2025	M20x2	25	10,7	12	10	60	40,2
07109-2425	M24x2	25	13,5	15	12	90	57,8