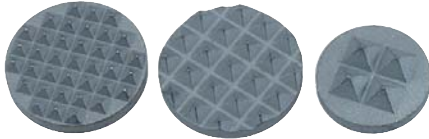


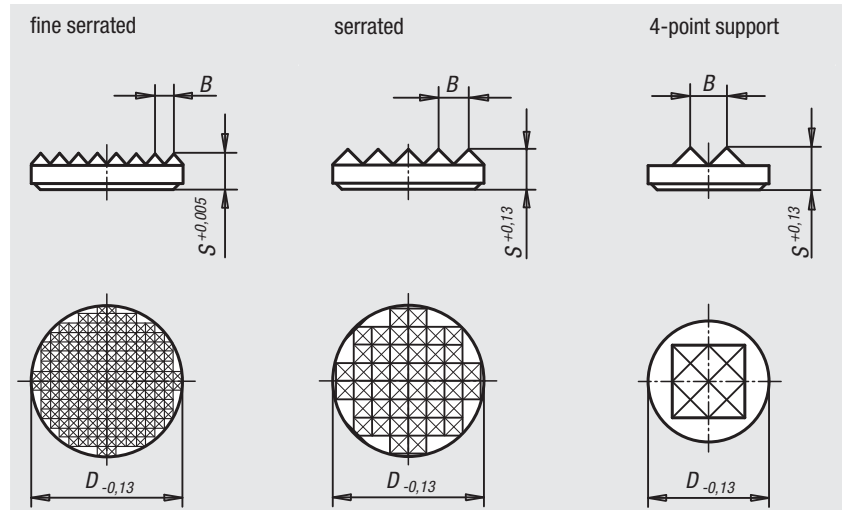
Hard metal baseplates, round



Material, surface finish:
Sintered metal carbide

Sample order:
nlm 07112-211

Note:
The metal carbide baseplates are available as 4-point bases and are ribbed. They can be glued into the baseplates using strong glue.



Order No.	Surface finish	D	S	B
07112-110	serrated	6,35	3,2	2,3
07112-111	serrated	7,9	3,2	2,3
07112-112	serrated	9,5	3,2	3,0
07112-113	serrated	12,7	3,2	3,0
07112-114	serrated	19,05	3,2	3,0
07112-211	fine serrated	7,9	3,2	1,5
07112-212	fine serrated	9,5	3,2	2,3
07112-213	fine serrated	12,7	3,2	2,3
07112-214	fine serrated	19,05	3,2	2,3
07112-215	fine serrated	25,4	4	2,3
07112-411	4-point support	7,9	3,2	3,0
07112-412	4-point support	9,5	3,2	3,0
07112-413	4-point support	12,7	4	3,5