

Grub screws

with thrust point to DIN 6332

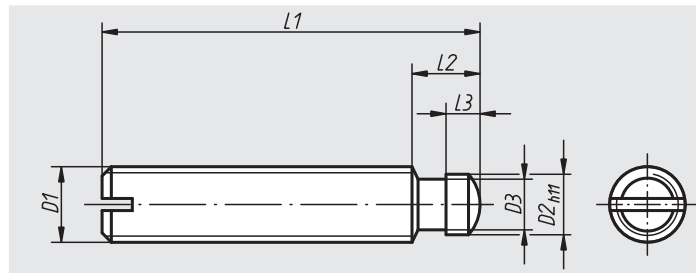
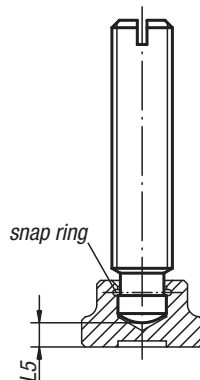


Material:
Steel.

Surface finish:
Grub screw case-hardened, black .

Sample order:
nlm 07120-12X60 (please also indicate dimension L1)

Note:
The thrust pin of the DIN 6332 grub screws is designed for direct clamping and for use together with the thrust pad Art. No. 07140.



Order No.	D1	L1	D2	D3	L2	L3	L5
07120-06X	M6	30/35/40/50	4,5	4	6	2,5	2,2
07120-08X	M8	35/40/45/50/60	6	5,4	7,5	3	3
07120-10X	M10	50/55/60/65/80	8	7,2	9	4,5	3,6
07120-12X	M12	60/65/70/80/100	8	7,2	10	4,5	4,5
07120-14X	M14	60/80/100	10	9	12	5	5
07120-16X	M16	65/70/80/100/125	12	11	12	5	5,3
07120-20X	M20	80/90/100/125/150	15,5	14,4	14	5,5	5,6

Grub screws

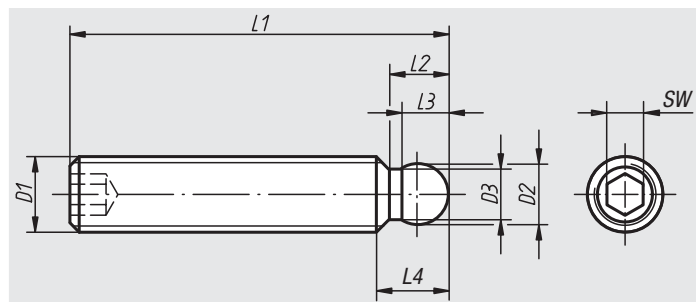
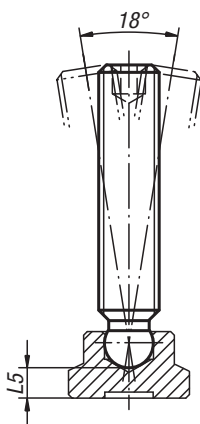
with ball thrust point



Material, surface finish:
Quality class 5.8, black oxide finish.

Sample order:
nlm 07121-06X50 (please also indicate dimension L1)

Note:
The Grub Screws are used in conjunction with a Thrust Pad 07142.



Order No.	D1	L1	D2	D3	L2	L3	L4	L5	SW
07121-06X	M6	30/35/40/50	4,5	3,5	4,3	3,7	5,5	3,8	3
07121-08X	M8	35/40/45/50/60	6	4,8	5,8	4,8	7,4	4,4	4
07121-10X	M10	50/55/60/65/80	8	6,5	7,3	6,3	9	5	5
07121-12X	M12	60/65/70/80	8	6,6	7,1	6,3	9,8	6,9	6