

# Torque knurled knobs



**Material:**

Anthracite grey thermoplastic.  
Threaded bolt and bush in steel 5.8, bush black oxide finish.  
Threaded bolt blue chromated.

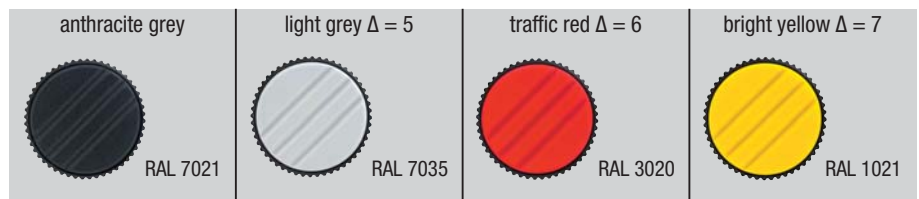
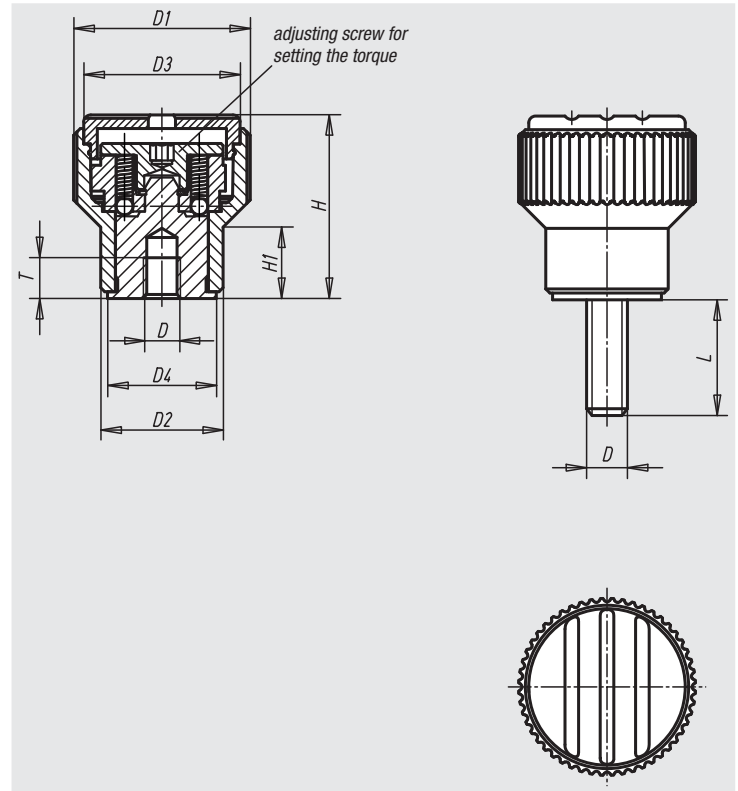
**Sample order:**

nIm 07125-2056X30 (knob cap colour traffic red; please also indicate dimension L)

**Note:**

The adjusting screw sets the torque required. When the set torque is reached the knurled knob spins freely.

Δ Add the desired knob cap colour here; no colour code is required with anthracite grey knob caps.



Order No.	Surface finish	Size	D	D1	D2	D3	D4	H	H1	T	Adjustable torque approx. Nm min. - max.	Approx. weight kg
07125-205Δ	bush in steel	2	M5	26	18	23	16	27	10,5	5	0,1 - 0,3	0,047
07125-206Δ	bush in steel	2	M6	26	18	23	16	27	10,5	6	0,1 - 0,3	0,042
07125-306Δ	bush in steel	3	M6	34	22	31	20	37,5	14,5	10	0,1 - 0,3	0,082
07125-308Δ	bush in steel	3	M8	34	22	31	20	37,5	14,5	14	0,1 - 0,3	0,077

Order No.	Surface finish	Size	D	D1	D2	D3	D4	H	H1	Adjustable torque approx. Nm min. - max.	L = screw length
07125-205ΔX	bolt in steel	2	M5	26	18	23	16	27	10,5	0,1 - 0,3	30/50
07125-206ΔX	bolt in steel	2	M6	26	18	23	16	27	10,5	0,1 - 0,3	30/50
07125-306ΔX	bolt in steel	3	M6	34	22	31	20	37,5	14,5	0,1 - 0,3	40/60
07125-308ΔX	bolt in steel	3	M8	34	22	31	20	37,5	14,5	0,1 - 0,3	40/60

01000  
02000  
03000  
04000  
05000  
06000  
07000  
08000  
09000  
20000  
21000  
22000  
23000