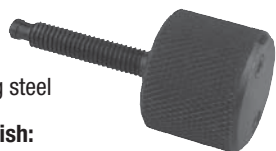


Torque bolts

with ball thrust points



Material:

Free-cutting steel

Surface finish:

Black oxide finish

Sample order:

nIm 07134-08X60 (Please also indicate dimension L)

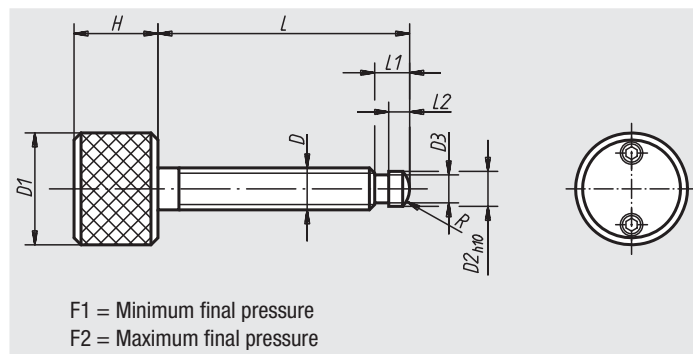
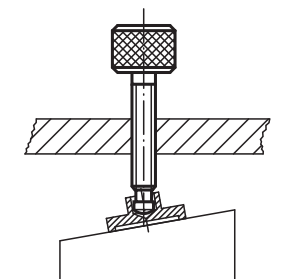
Note:

The torque required for the knurled bolt is generated by two spring-mounted ball thrust components.

As soon as the adjustable final pressure is reached, the knurled handle runs free.

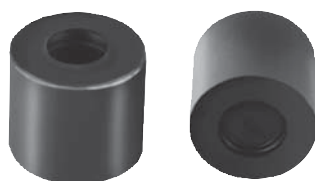
The final pressure is set using the grub screws located in the head. In conjunction with a washer (07138, 07140 or 07141) the torque bolt with ball thrust pins is particularly suited to clamping sloping surfaces.

application example:



Order No.	D	D1	D2	D3	H	L	L1	L2	F1 (N)	F2 (N)	R
07134-06X	M6	25	4,5	4,1	20	40/60	6	2,5	40	800	3
07134-08X	M8	25	6	5,3	20	60/80	7,5	3	40	650	5
07134-10X	M10	25	8	7,2	20	60/80	9	4,5	40	550	6
07134-12X	M12	25	8	7,2	20	80/100	10	4,5	40	450	6

Thrust washers



Material:

Thrust washer: free cutting steel,
retaining ring: spring steel

Surface finish:

Surface-hardened and black oxide finish

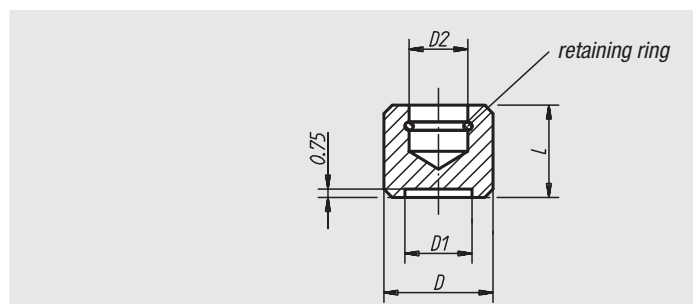
Sample order:

nIm 07138-10

Note:

The thrust washer can be pushed onto the torque bolt with ball thrust pins (07134) or the grub screws with pressure pins (07120) using light pressure.

The thrust washer adapts to the surface to be clamped due to the ball joint.



Order No.	D	D1	D2	L	Suitable for	Approx. weight g
07138-10	10	5	4,5	8	07120-06, 07134-06	4
07138-12	12	6	6	9	07120-08, 07134-08	8
07138-14	14	8	8	11	07120-10, 07120-12, 07134-10, 07134-12	10