

## Swivel feet

**Material, surface finish:**

- Form A, G: Pressure foot in tempered steel.  
Ball element in case-hardened free-cutting steel; black oxide finish.
- Form B: Stainless steel, natural finish.
- Form C: Pressure foot in white POM.  
Ball element in case-hardened free-cutting steel, black oxide finish.
- Form D: Pressure foot in white POM.  
Ball element in stainless steel, natural finish.

Anti-slip-plate in thermoplastic elastomer.

**Sample order:**

nIm 07144-112

**Note:**

The anti-slip-plate absorbs vibrations and prevents slipping of the swivel foot.

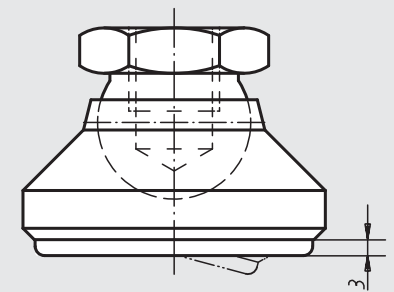
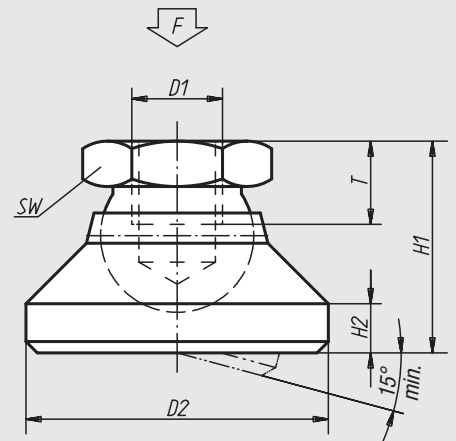
Form A  
pressure foot and  
ball element in steel

Form B  
pressure foot and  
ball element in stainless steel

Form C  
pressure foot in POM,  
ball element in steel

Form D  
pressure foot in POM,  
ball element in stainless steel

Form G  
pressure foot and  
ball element in steel  
with anti-slip-plate



Order No. Form A	Order No. Form B	D1	D2	H1	H2	T	SW	Load capacity max. kN (static load only)
07144-106	07144-306	M6	20	15	2,5	8,5	10	10
07144-108	07144-308	M8	25	18	4	9	13	18
07144-110	07144-310	M10	32	22	5	10	17	20
07144-112	07144-312	M12	40	26	6	12	19	35
07144-116	07144-316	M16	50	32	7	14	24	45
07144-120	07144-320	M20	60	42	8	18	30	55

Order No. Form C	Order No. Form D	D1	D2	H1	H2	T	SW	Load capacity max. kN (static load only)
07144-506	07144-206	M6	20	15	2,5	8,5	10	4
07144-508	07144-208	M8	25	18	4	9	13	7
07144-510	07144-210	M10	32	22	5	10	17	10
07144-512	07144-212	M12	40	26	6	12	19	18
07144-516	07144-216	M16	50	32	7	14	24	20
07144-520	07144-220	M20	60	42	8	18	30	22

Order No. Form G	D1	D2	H1	H2	T	SW	Load capacity max. kN (static load only)
07144-410	M10	32	22	5	10	17	12
07144-412	M12	40	26	6	12	19	17
07144-416	M16	50	32	7	14	24	20
07144-420	M20	60	42	8	18	30	24