

Hexagon socket countersunk head screws

DIN 7991

**Material:**

Steel or stainless steel (A 2).

Surface finish:

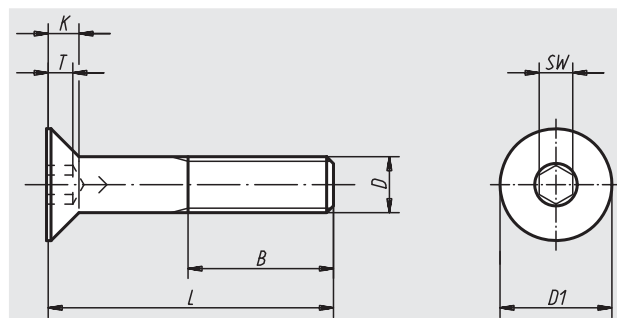
Steel class 8.8, black.

Stainless steel A 2-70, natural finish.

Sample order:

nlm 07175-106X20

(Please also indicate dimension L)



Order No. steel	Order No. stainless steel	D	L	K	T	B	D1	SW
07175-04X	07175-104X	M4	10/12/16/20/25	2,3	1,8	14	8	2,5
07175-05X	07175-105X	M5	10/12/16/20/25/30	2,8	2,3	16	10	3
07175-06X	07175-106X	M6	10/12/16/20/25/30/35/40/45/50/60	3,3	2,5	18	12	4
07175-08X	07175-108X	M8	16/20/25/30/35/40/45/50/60	4,4	3,5	22	16	5
07175-10X	07175-110X	M10	16/20/25/30/35/40/45/50/60/70	5,5	4,4	26	20	6
07175-12X	07175-112X	M12	20/25/30/35/40/45/50/60/70/80	6,5	4,6	30	24	8
07175-16X	07175-116X	M16	30/35/40/45/50/60/70/80	7,5	5,3	38	30	10

Notes

