

Hexagon nuts

height 1.5 D, to DIN 6330 extended



Material:

Tempered steel or stainless steel (A2).

Surface finish:

Heat-treated class 10, black.

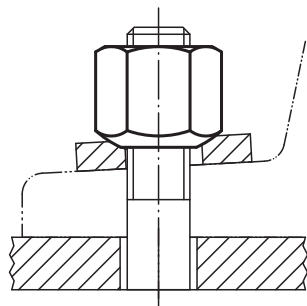
Stainless steel A 2-70, natural finish.

Sample order:

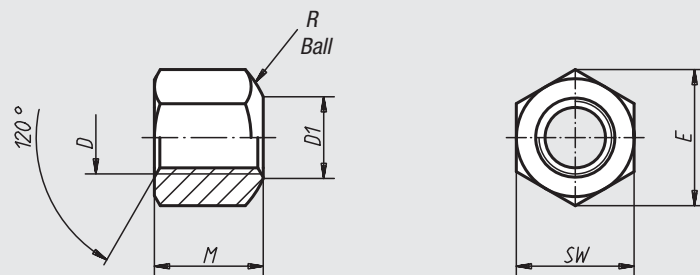
nIm 07260-12

Note:

Hexagon nuts can be used with Concave Washers 07420, form D and G.



Form B
with rounded baseplate on one side



Order No.	Material	D	M = 1,5 x D	D1	SW	E	R	Approx. weight g
07260-05	steel	M5	7,5	6,5	9	10,4	7	4,0
07260-06	steel	M6	9	7	10	11,5	9	4,5
07260-08	steel	M8	12	9	13	15	11	9,0
07260-10	steel	M10	15	11,5	16	18,4	15	14,0
07260-101	steel	M10	15	11,5	17	19,6	15	20,0
07260-12	steel	M12	18	14	18	20,7	17	20,0
07260-121	steel	M12	18	14	19	21,9	17	28,0
07260-14	steel	M14	21	16	22	25,4	20	45,0
07260-16	steel	M16	24	18	24	27,7	22	58,0
07260-18	steel	M18	27	20	27	31,2	24,5	83,0
07260-20	steel	M20	30	22	30	34,6	27	110,0
07260-22	steel	M22	33	24	32	36,9	29	130,0
07260-24	steel	M24	36	26	36	41,6	32	195,0
07260-30	steel	M30	45	32	46	53,1	41	405,0
07260-36	steel	M36	54	38	55	63,5	50	715,0
07260-806	stainless steel	M6	9	7	10	11,5	9	4,5
07260-808	stainless steel	M8	12	9	13	15	11	9,0
07260-810	stainless steel	M10	15	11,5	16	18,4	15	14,0
07260-811	stainless steel	M10	15	11,5	17	19,6	15	20,0
07260-812	stainless steel	M12	18	14	18	20,7	17	20,0
07260-813	stainless steel	M12	18	14	19	21,9	17	28,0
07260-816	stainless steel	M16	24	18	24	27,7	22	58,0
07260-820	stainless steel	M20	30	22	30	34,6	27	110,0