

Washers

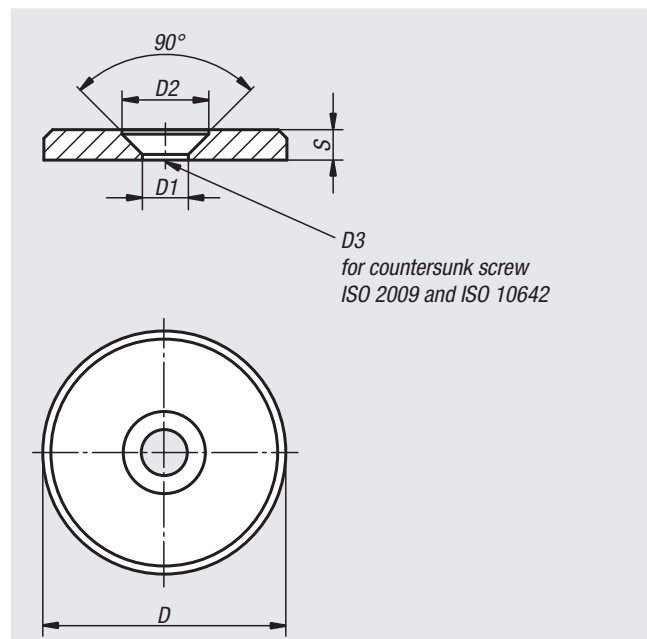
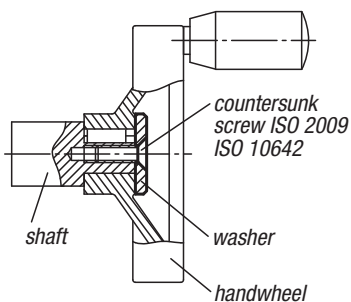


Material:
 Steel 1.0718, black oxide finish.
 Stainless steel 1.4305, natural finish.

Sample order:
 nlm 07375-00416

Note:
 Together with a countersunk screw DIN EN ISO 2009 or DIN EN ISO 10642 the washers are used at the front surface of shaft extensions for axial fastening and securing of handwheels and handles using a hub slot.

The washers can be used with the handwheels 06262, 06263, 06264, 06265, 06271, 06273, 06275, 06277, 06279, 06287, 06288 and crank handles 06500, 06502.



Order No.	Material	D	D1	D2	D3	S	Approx. weight kg
07375-00416	steel	16	4,3	8,4	M4	3	0,004
07375-00420	steel	20	4,3	8,4	M4	3	0,004
07375-00522	steel	22	5,3	10	M5	3,5	0,009
07375-00525	steel	25	5,3	10	M5	3,5	0,012
07375-00528	steel	28	5,3	10	M5	3,5	0,012
07375-00632	steel	32	6,4	12	M6	4	0,022
07375-00636	steel	36	6,4	12	M6	4	0,029
07375-00640	steel	40	6,4	12	M6	5	0,046
07375-00645	steel	45	6,4	12	M6	6	0,071
07375-00652	steel	52	6,4	12	M6	6	0,094
07375-10416	stainless steel	16	4,3	8,4	M4	3	0,004
07375-10420	stainless steel	20	4,3	8,4	M4	3	0,004
07375-10522	stainless steel	22	5,3	10	M5	3,5	0,009
07375-10525	stainless steel	25	5,3	10	M5	3,5	0,012
07375-10528	stainless steel	28	5,3	10	M5	3,5	0,012
07375-10632	stainless steel	32	6,4	12	M6	4	0,022
07375-10636	stainless steel	36	6,4	12	M6	4	0,029
07375-10640	stainless steel	40	6,4	12	M6	5	0,046
07375-10645	stainless steel	45	6,4	12	M6	6	0,071
07375-10652	stainless steel	52	6,4	12	M6	6	0,094

01000
02000
03000
04000
05000
06000
07000
08000
09000
20000
21000
22000
23000