

# Axial bearing for increasing tension force



**Material:**  
Bearing housing in steel.

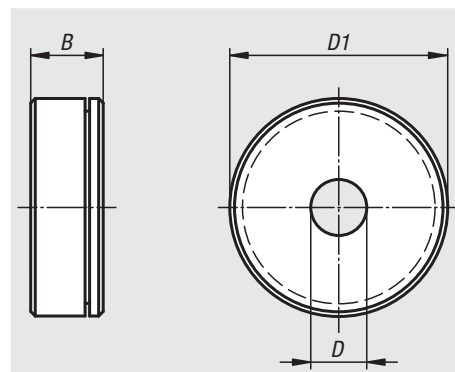
**Surface finish:**  
Black oxide finish.

**Sample order:**  
nlm 07415-06

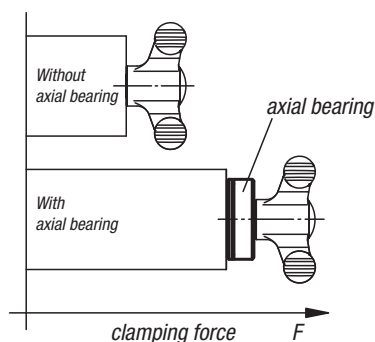
**Note:**  
The axial bearing is generally used for connection to tensioning or clamping elements. Due to the integrated bearing unit consisting of an axial needle roller and two axial bearing discs, approximately twice the clamping force can be achieved with the same lever length.

**Advantages:**  
The component is protected by the stationary support surface. The higher initial tension causes lower tendency to set in the thread.

Clamp levers, wing and star grips, knurled knobs or hexagonal and socket head screws, for example, can be used as tensioning or clamping elements.



For constant torque



Order No.	B	D	D1	Approx. weight g
07415-06	8	6	24	21,6
07415-08	8	8	25	22,1
07415-10	8	10	30	33,5
07415-12	8	12	35	46,1