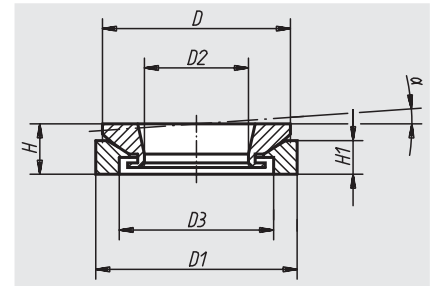
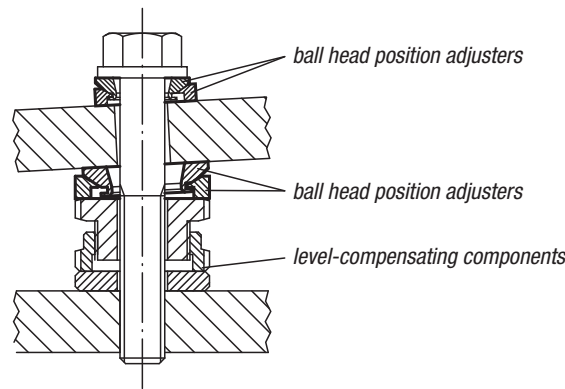


Ball head position adjusters



application example:



Material:
Steel 1.7225. Stainless steel 1.4305.

Surface finish:
Steel blue-chromated.
Stainless steel natural finish.

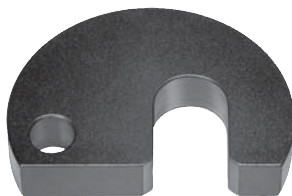
Sample order:
nlm 07460-401

Note:
The ball head position adjuster allows exact positioning when assembling sloping bases up to approx. 4° angle of inclination. A further ball head position adjuster is recommended as a base in sloped positions of $D3 > 1^\circ$ for evenly positioning the bolts. Top and bottom can not fall apart as they are secured.

Order No. steel	Order No. stainless steel	H	H1	D	D1	D2	D3	α
07460-151	07460-152	8	5,5	23	25	8,5	15	4°
07460-201	07460-202	10	6,2	30	32	13	20	4°
07460-301	07460-302	12,5	9	40	45	20	30	4°
07460-401	07460-402	16	13	52	58	29	38	4°
07460-501	07460-502	20	14	65	70	36	48	4°

Captive C-washers

DIN 6371

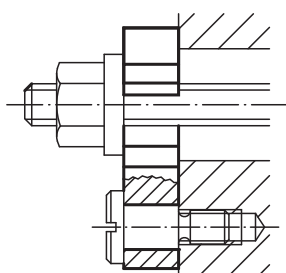
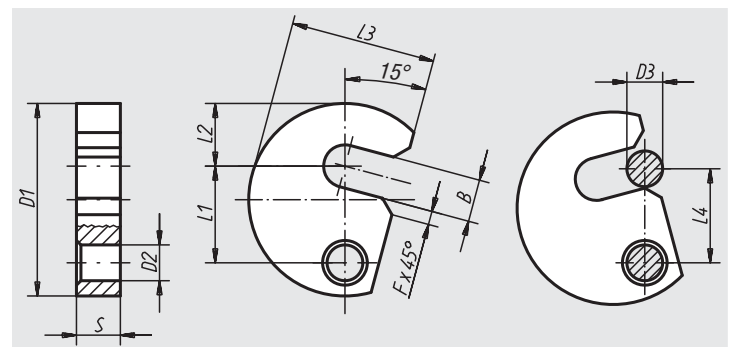


Material:
Tempered steel 1.0503.

Surface finish:
Nitrided and black oxide finish.

Sample order:
nlm 07520-12

Note:
07520-14 is not standard. Suitable shoulder screws see 07530.



Order No.	B	D1	D2	D3	F	L1	L2	L3	L4	S	Approx. weight kg
07520-06	7,5	38	9	6	3	19,6	11	29	19	9,8	0,061
07520-08	9,5	43	9	8	3	21,6	14	32,5	21	9,8	0,076
07520-10	11,5	48	9	10	3	23,6	17	36,5	23	9,8	0,090
07520-12	13,5	61	11	12	3	29,6	22	45	29	11,8	0,180
07520-14	15,5	65	11	14	3	31,6	23	49	31	11,8	0,200
07520-16	17,5	68	11	16	3	33,6	25	50	33	11,8	0,210
07520-20	21,5	74	11	20	4	36,6	28	55	36	11,8	0,230