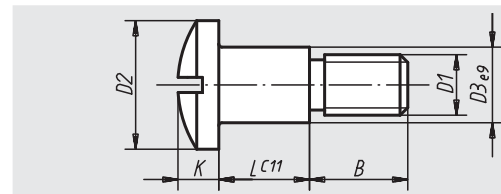


# Shoulder screws

with slotted domed head



**Material:**

Tempered steel

**Surface finish:**

Black oxide finish

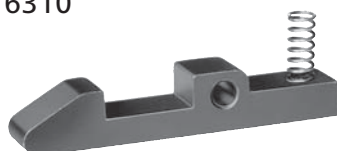
**Sample order:**

nIm 07540-10

Order No.	D1	D2	D3	L	B	K	Approx. weight kg
07540-06	M6	14	8	10,2	9,8	6	0,012
07540-08	M8	18	10	12,2	11,8	7	0,023
07540-10	M10	22	12	14,2	14,8	9	0,042
07540-12	M12	22	14	16,2	15,8	9	0,053

# Hinged fastener

DIN 6310



**Material:**

Tempered steel 1.1192

**Surface finish:**

Black oxide finish, hardened nose (see grey hatched area)

**Sample order:**

nIm 07560-02

**Note:**

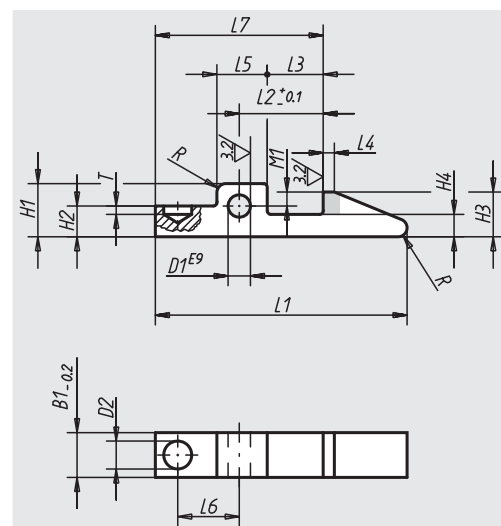
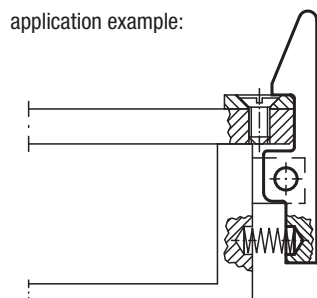
The spring is included in the supply. Spring dimensions:

Ø 4.8 x 14

Ø 5.8 x 17

Ø 7.3 x 21

application example:



Order No.	L1	B1	D1	D2	H1	H2	H3	H4	L2	L3	L4	L5	L6	L7	M1	T	R	Approx. weight kg
07560-01	45	8	4	5	9,5	5,5	8	4	15	10	2	9	11	30	2,5	1,5	1,6	0,015
07560-02	60	10	5	6,3	12	7	10	5	20	14	3	11	15	40	3	3	2,5	0,032
07560-03	80	14	6	8	15	9	14	7	30	22	5	14	23	60	5	5	4	0,080