

Fork pieces

with threaded bolt

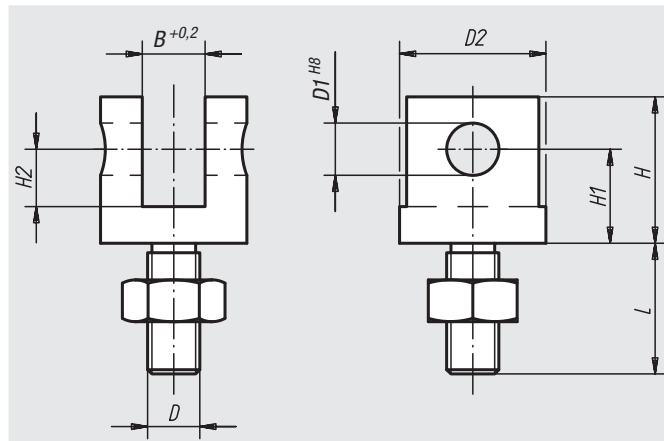
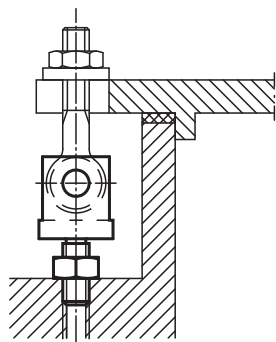


Material:
Tempered steel 1.1191.

Surface finish:
Heat-treated and black oxide finish.

Sample order:
nlm 07620-05

Note:
Suitable hinge pin, see 04250.



Order No.	D	D1	D2	B	H	H1	H2	L	Approx. weight g
07620-05	M5	5	12	6	16	10	7	14,5	8,5
07620-06	M6	6	16	7	19	12	8	15	14,0
07620-08	M8	8	20	9	23	15	10	20	20,0
07620-10	M10	10	28	12	28	18	11	25	35,0
07620-12	M12	12	30	14	34	21	13,5	30	70,0
07620-14	M14	14	36	16	37	23	15	35	84,0
07620-16	M16	16	40	17	42	26	17	40	140,0
07620-20	M20	18	50	22	52	32	21	50	160,0

Grub screws

DIN 551

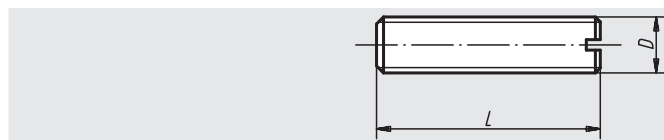
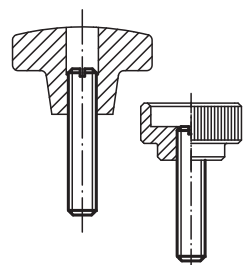


Material:
Steel

Surface finish:
Natural finish, quality class 5.8

Sample order:
nlm 07630-10X40 (Please also indicate dimension L)

Note:
A solid joint between grub screw and counter-piece can often be made more cost-effectively by gluing it. The LOCTITE products are especially suitable for this. See 97990.



Order No.	D	L
07630-06X	M6	20/25/30/35/40/45/50/60/70
07630-08X	M8	25/30/35/40/45/50/60/70/80
07630-10X	M10	25/30/35/40/45/50/60/70/80
07630-12X	M12	30/35/40/45/50/60/70/80/100
07630-16X	M16	30/35/40/45/50/60/70/80/100
07630-20X	M20	40/50/60/70/80/90/100