

Solid body threaded inserts


Material, surface finish:

Threaded insert in steel, passivated.

Sample order:

nIm Solid Body Threaded Insert 07662-10X125

Assembly tool 07662-810

Note:

Solid body threaded inserts allow threaded holes which have been damaged, torn out or jammed to be used again or to be repaired. This makes it possible to recover scrap and rejects of expensive products.

Solid body threaded inserts are suitable for use in various materials, including light metals and castings.

Permissible deviations:

The medium tolerance class applies to the threads listed, i.e. 6g for bolt threads.

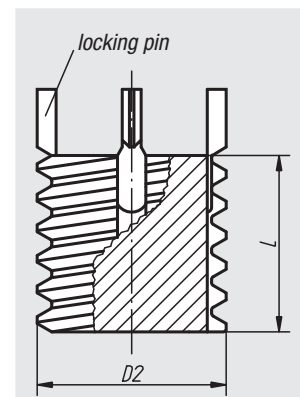
Other dimensions ± 0.25 mm.

Solid body threaded inserts are used where threaded holes that have been drilled too large or drill hole spacings that have not been observed in workpieces need to be redone.

Technical information see operating instructions for threaded inserts.

Advantages:

- Quick and easy installation.
- The insert is fixed with pins in order to prevent torsion due to twisting or vibrations.
- No other special tools are required besides the assembly tool.



Order No.	D2 External thread	L Length	Installation drill \emptyset	Installation countersunk \emptyset +0,25	Installation screw tab	Installation Min. thread depth	Removal drill \emptyset	Removal drilling depth	Order no. assembly tools
07662-08	M8	8	6,9	8,3	M8	9,5	5,5	4	07662-808
07662-10X125	M10x1,25	10	8,8	10,3	M10x1,25	12,5	7,5	4,8	07662-810
07662-12X125	M12x1,25	12	10,8	12,3	M12x1,25	14,5	9,5	4,8	07662-812
07662-14X15	M14x1,5	14	12,8	14,3	M14x1,5	16,5	11,5	4,8	07662-814
07662-16X15	M16x1,5	16	14,8	16,3	M16x1,5	18,5	13,5	4,8	07662-816
07662-18X15	M18x1,5	18	16,8	18,3	M18x1,5	20,5	15,5	4,8	07662-818
07662-20X15	M20x1,5	20	18,8	20,3	M20x1,5	22,5	17,5	4,8	07662-820
07662-22X15	M22x1,5	22	20,7	22,3	M22x1,5	24,5	17,8	6,4	07662-822
07662-24X15	M24x1,5	24	22,5	24,3	M24x1,5	26,5	19,8	6,4	07662-824
07662-30X2	M30x2	30	28	30,3	M30x2	34,5	25,8	6,4	07662-830