

# Revolving attachment swivel 360°

quality class 8



**Material:**  
Steel

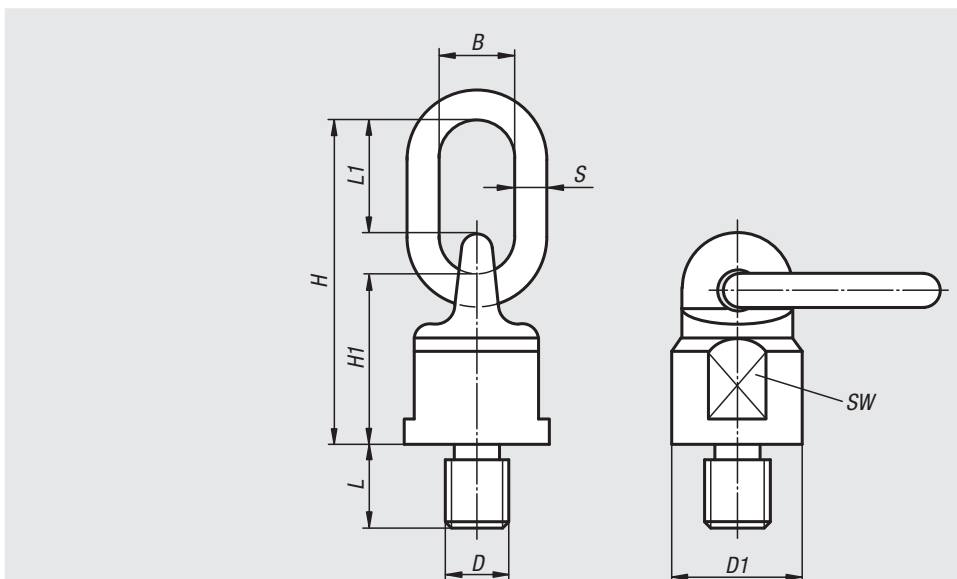
**Surface finish:**  
Quality class 8, ball bearing;  
red plastic-coated

**Sample order:**  
nlm 07710-1018

**Note:**  
Compact and light design, fully loadable on all sides. Quadruple safety against rupture in all load directions. Can rotate 360°. Maximum swivel range of the element of 180°. Because of the ball-bearings, the eye bolt can rotate even under load.

Rotary eye bolts have applications in many fields, whether for lifting loads or for securing the loading.

For the carrying capacities to be valid, the ring must always be in line with the load to be carried. The eye bolt must lie flat on the support surface and always be screwed in completely.



Maximum transport weight "G" in kg for different stop types

Kind of attachment	↑		↑		↘		↘	
	G	G	G	G	G	G	G	G
Number of pieces	1	2	1	2	2	2	3 - 4	3 - 4
Inclination angle $\alpha$	0°	0°	90°	90°	0°-45°	45°-60°	0°-45°	45°-60°
M10	600	1200	300	600	420	300	630	450
M12	1000	2000	500	1000	750	500	1100	750
M16	2000	4000	1120	2000	1500	1120	2360	1600
M20	4000	8000	2000	4000	2800	2000	4000	3000
M24	6300	12500	3150	6300	4250	3150	6300	4750
M30	10600	21200	5300	10600	7100	5800	11200	8000
M36	12500	25000	8000	16000	11200	8000	16800	12000

Order No.	B	D	D1	H	H1	L	L1	S	SW	Permissible load kg	Approx. weight kg
07710-1018	30	M10	38	105	50	18	46	13	30	300	0,480
07710-1218	30	M12	38	105	50	18	46	13	30	500	0,500
07710-1620	30	M16	38	105	50	20	46	13	30	1120	0,530
07710-2030	34	M20	50	131	61	30	57	16	40	2000	1,050
07710-2430	40	M24	58	153	68	30	70	19	48	3150	1,630
07710-3035	40	M30	75	165	80	35	65	20	65	5300	2,230
07710-3654	50	M36	85	205	95	54	90	22	75	8000	4,720