

Pivoting lift rings

with side swivel

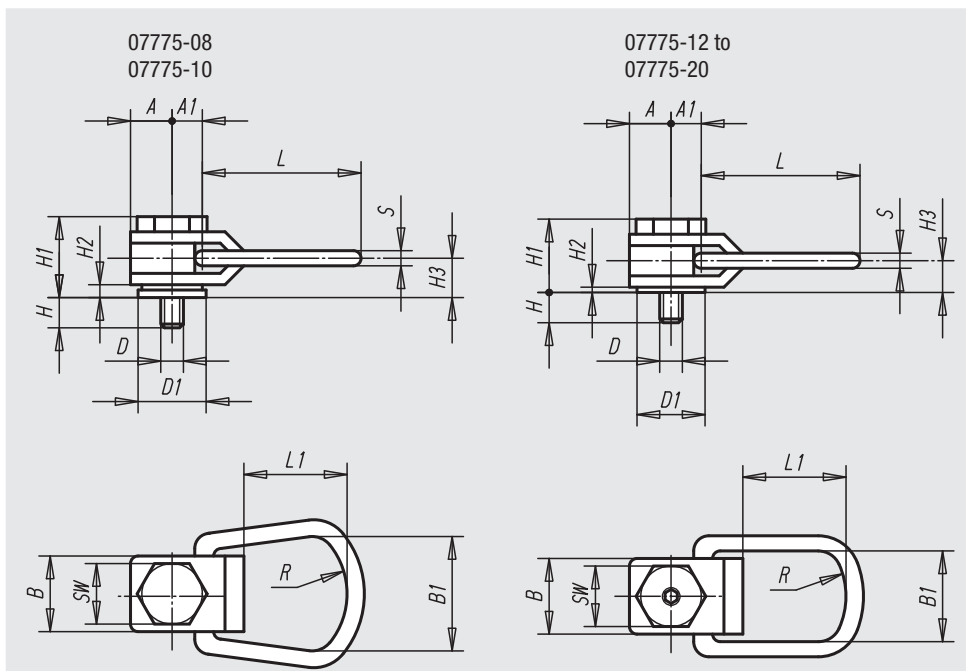


Material:
Tempered steel

Surface finish:
Black oxide finish

Sample order:
nlm 07775-10

Note:
Each lifting ring undergoes a double safety inspection during its load testing. This lifting ring is lighter and easier to handle than other types as a result of its light construction. The lifting ring can be assembled using a forked spanner or an Inbus spanner.



Order No.	A	A1	B	B1	D	D1	H	H1	H2	H3	L	L1	R	S	SW	hexagon socket	max. permissible load kg
07775-08	13	13	25	44	M8	21	16	33	3	14	76	52	25	8	19	-	325
07775-10	13	13	25	44	M10	21	20	33	3	14	76	52	25	8	19	-	500
07775-12	22	19	44	51	M12	35	24	48	4	21	110	75	38	13	32	6	725
07775-16	22	19	44	51	M16	35	32	48	4	21	110	75	38	13	32	8	1400
07775-20	29	25	57	67	M20	48	40	59	6	26	145	102	51	16	44	10	2290