

# Receiver bushings in stainless steel

for lifting pin



**Material:**

Stainless steel 1.4542, hardened and passivated

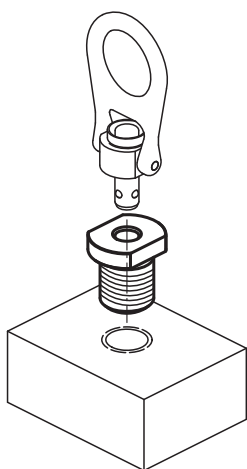
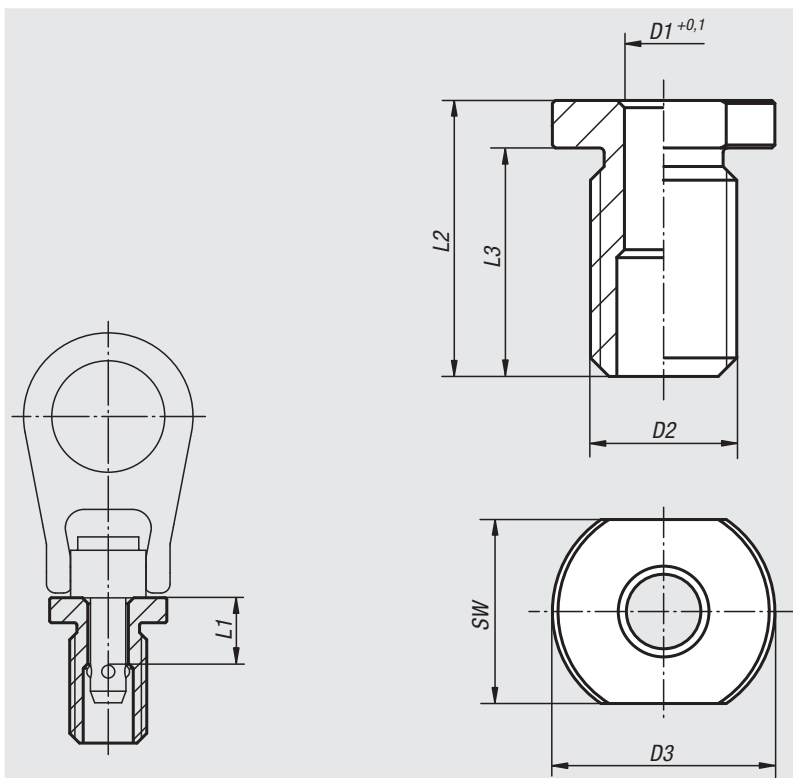
**Sample order:**

nIm 07784-1015

**Note:**

The receiver bushings allow safe and quick receiving capability for lifting pins. They offer an easy and reliable installation in a variety of carrier materials. Usable even for thin-walled materials and blind holes.

They are corrosion-resistant with low wear.



Order No.	D1	D2	D3	L1	L2	L3	SW	Tightening torque Nm	Suitable for	Approx. weight kg
07784-1015	10	M20x2,5	34,8	15	29	22	26	36	07780-2110X15 / 07782-2810X15	0,070
07784-1215	12	M22x2,5	34,8	15	37	28	30	50	07780-2112X15 / 07782-2812X15	0,090
07784-1615	16	M27x3	41,2	15	41	31	32	69	07782-2816X15	0,140